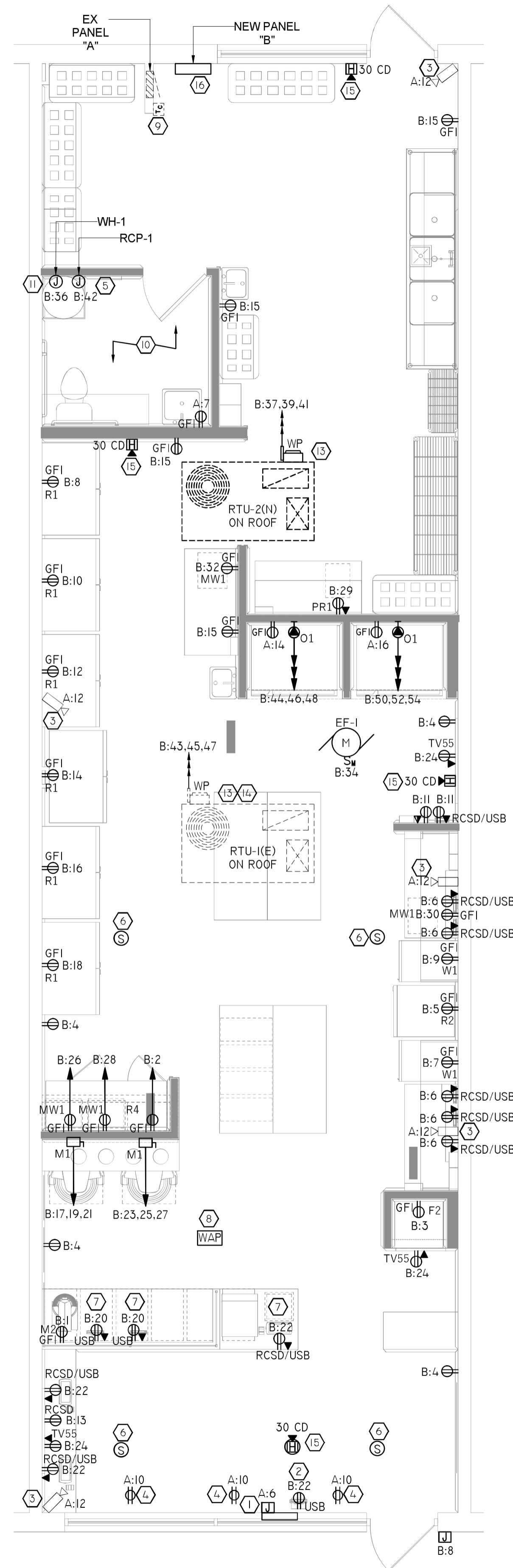


POWER KEYED WORK NOTES

- OPEN SIGN POWER JUNCTION BOX. UTILIZE FOR SIGN AND CONTROL VIA TIME CLOCK. E.C. SHALL COORDINATE WITH ARCHITECT/OWNER FOR EXACT POWER REQUIREMENT.
- LOCATION AND HEIGHT OF RECEPTACLE TO BE DETERMINED AND VERIFIED BY OWNER PRIOR TO ROUGH IN..
- CAMERA SYSTEM FURNISHED BY OWNER AND INSTALLED BY CONTRACTOR. SYSTEM SHALL BE A UNIFI VIDEO BOARD SYSTEM WITH POE CAMERAS AND A CLOUD BASED STORAGE. PROVIDE POWER AND DATA RECEPTCLES. MOUNTING OF CAMERAS AND CONNECTION TO POWER AND DATA RECEPTACLES. OUTLETS TO BE 4" BELOW CEILING GRID AND 4" FROM CORNER. EXACT QUANTITY AND FINAL LOCATION OF CAMERAS SHALL BE COORDINATED WITH OWNER/ARCHITECT.
- RECEPTACLE TO BE MOUNTED 4" BELOW CEILING GRID.
- RCP-1; PROVIDE GFI RECEPTACLE OR HARDWIRED CONNECTION AS REQUIRED. IF HARDWIRED INSTALL 20A 1 POLE SNAP SWITCH FOR DISCONNECTING MEANS.
- SPEAKER POLK AUDIO MC60. PROVIDE WESTPENN CABLE AS SHOWN IN SOUND RISER. OWNER TO FURNISH ALL EQUIPMENT, EXCEPT CABLING. INSTALL ALL SOUND EQUIPMENT INCLUDING RECEIVER, SPEAKERS AND REMOTE POWER SUPPLY AND MAKE ALL POWER AND SPEAKER WIRED CONNECTION FOR AN OPERATION SYSTEM.
- OUTLET TO BE MOUNTED HORIZONTALLY AND HEIGHT TO BE DETERMINED PRIOR TO ROUGH-IN.
- WIRELESS ACCESS POINT (WAP). PROVIDE DATA CABLE AND INSTALLATION OF WAP IN CEILING
- EXISTING TIME CLOCK AND CONTRACTORS FOR EXTERIOR SIGNAGE AND FOR DISPLAY WINDOW RECEPTACLES TO REMAIN. E.C TO VERIFY OPERABLE CONDITION OF THE TIME CLOCK. IF FOUND DAMAGED PROVIDE NEW. BASE BID ACCORDINGLY.
- EXISTING ELECTRICAL FIXTURE IN TOILET SHALL REMAIN. E.C. SHALL VERIFY OPERABLE CONDITION & CONNECT THE BRANCH CIRCUIT TO EXISTING ELECTRICAL PANEL "A".
- NEW GAS WATER HEATER. E.C. SHALL COORDINATE WITH MANUFACTURER FOR EXACT POWER REQUIREMENTS AND MAKE POWER PROVISION ACCORDINGLY.
- EXHAUST FAN SHALL BE CONTROLLED ALONG WITH TOILET LIGHT FIXTURE. E.C. SHALL EXTEND CIRCUITING UP TO EXHAUST FAN.
- ELECTRICAL CONTRACTOR SHALL COORDINATE FOR EXACT LOCATION OF MECHANICAL EQUIPMENTS WITH MECHANICAL DRAWINGS.
- EXISTING RTU-1 SHALL REMAIN CONNECTED TO EXISTING ELECTRICAL PANEL A. E.C. TO FIELD VERIFY EXACT CIRCUIT NUMBER, OPERABLE CONDITION OF DISCONNECT SWITCH, & BRANCH CIRCUIT. PROVIDE NEW DISCONNECT SWITCH & BRANCH CIRCUIT IF FOUND INOPERABLE.
- ELECTRICAL CONTRACTOR SHALL COORDINATE WITH ARCHITECT/OWNER FOR INFORMATION ABOUT FIRE ALARM SYSTEM.
- NEW ELECTRICAL PANEL "B". E.C. TO COORDINATE FINAL LOCATION WITH ARCHITECT/OWNER.



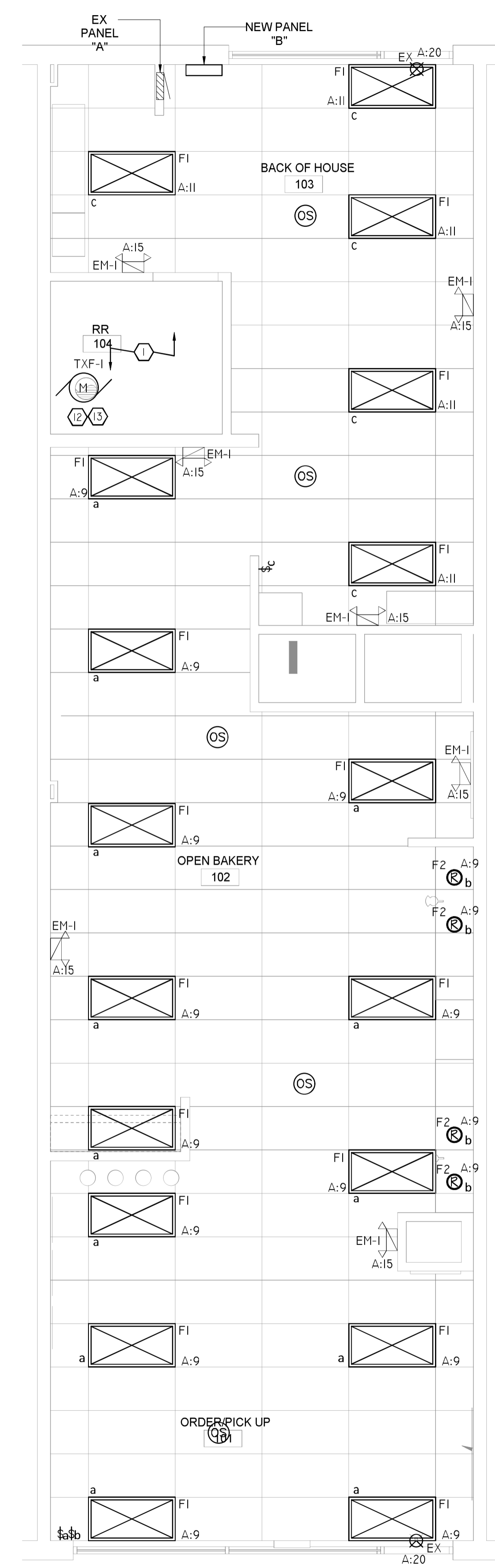
2 POWER & SYSTEM PLAN
1/4" = 1'-0"

LIGHTING KEYED WORK NOTES

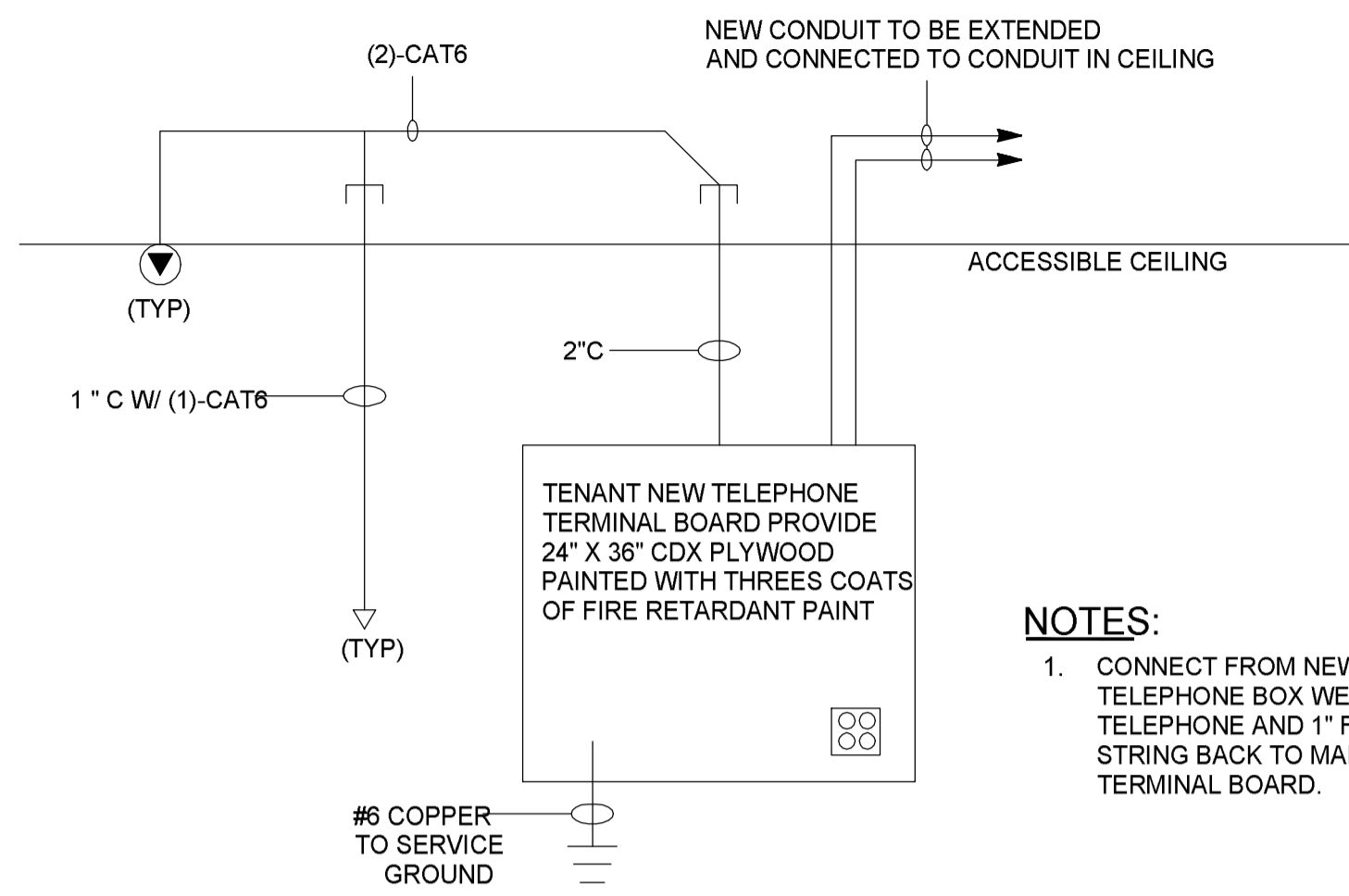
- LIGHTING FIXTURE ALONG WITH CONTROLLING IN THIS AREA SHALL REMAIN. E.C. SHALL REROUTE THE EXISTING BRANCH CIRCUIT TO EXISTING PANEL "A" ON CIRCUIT NUMBER - 7.

GENERAL NOTES

- PROVIDE ALL CIRCUITING AS SHOWN ON PLAN.
- INSTALL ALL OWNER FURNISHED EQUIPMENT. PROVIDE A FULLY OPERATIONAL AND TESTED SYSTEM WITH REGARDS TO THE DATA/TELE. SPEAKER/AV RECEIVER, AND CAMERA SYSTEMS. PROVIDE ONSITE PERSONNEL TO VERIFY STARTUP WITH OWNER AND CORRECT AND PROBLEMS IN WIRING OR POWER.
- FIRE/SMOKE DAMPERS ARE NOT SHOWN ON THE ELECTRICAL DRAWINGS. COORDINATE FIRE/SMOKE DAMPER LOCATIONS AND REQUIREMENTS WITH THE MECHANICAL DRAWINGS. PROVIDE 120V POWER FOR ALL DAMPERS.
- ALL NEW FIRE ALARM DEVICES SHOWN ARE TO BE TIED INTO EXISTING BUILDING FIRE ALARM SYSTEM. COORDINATE WITH THE LANDLORD FOR SYSTEM HEAD-END LOCATION.
- INSTALL OCCUPANCY SENSORS TO PROVIDE COVERAGE ACCORDING TO MANUFACTURER'S RECOMMENDATIONS. CONSULT WITH LIGHTING CONTROL MANUFACTURER AND DISTRIBUTOR FOR ADDITIONAL REQUIREMENTS AND RECOMMENDATIONS: CRUMBL@CEDNATIONALACCOUNTS.COM; 562-296-7202.
- LIGHTING TO BE 0-10V DIMMING. PROVIDE ALL WIRING, COMPONENTS AND LABOR FOR A COMPLETE AND WORKING SYSTEM.
- PROVIDE CAT6 DATA CABLING FOR ALL DATA LOCATIONS.
- ALL USB RECEPTACLES SHALL BE 20A DUAL CHARGING PORTS TYPE A AND C. PROVIDE MANUFACTURER LEVITON CATALOG NUMBER T5833 OR LEGRAND PTR20ACUSBW, NO SUBSTITUTIONS ALLOWED. COORDINATE WITH ARCHITECTURAL ELEVATIONS PRIOR TO ROUGH IN. ALL RECESSED BOXES (RCSB) SHALL BE OF THE LEGRAND TYPE TVIWMVKITWCC2.
- REFER TO ARCHITECTURAL ELEVATIONS PRIOR TO ROUGH-IN OF DEVICE BOXES.



1 FLOOR LIGHTING PLAN
1/4" = 1'-0"

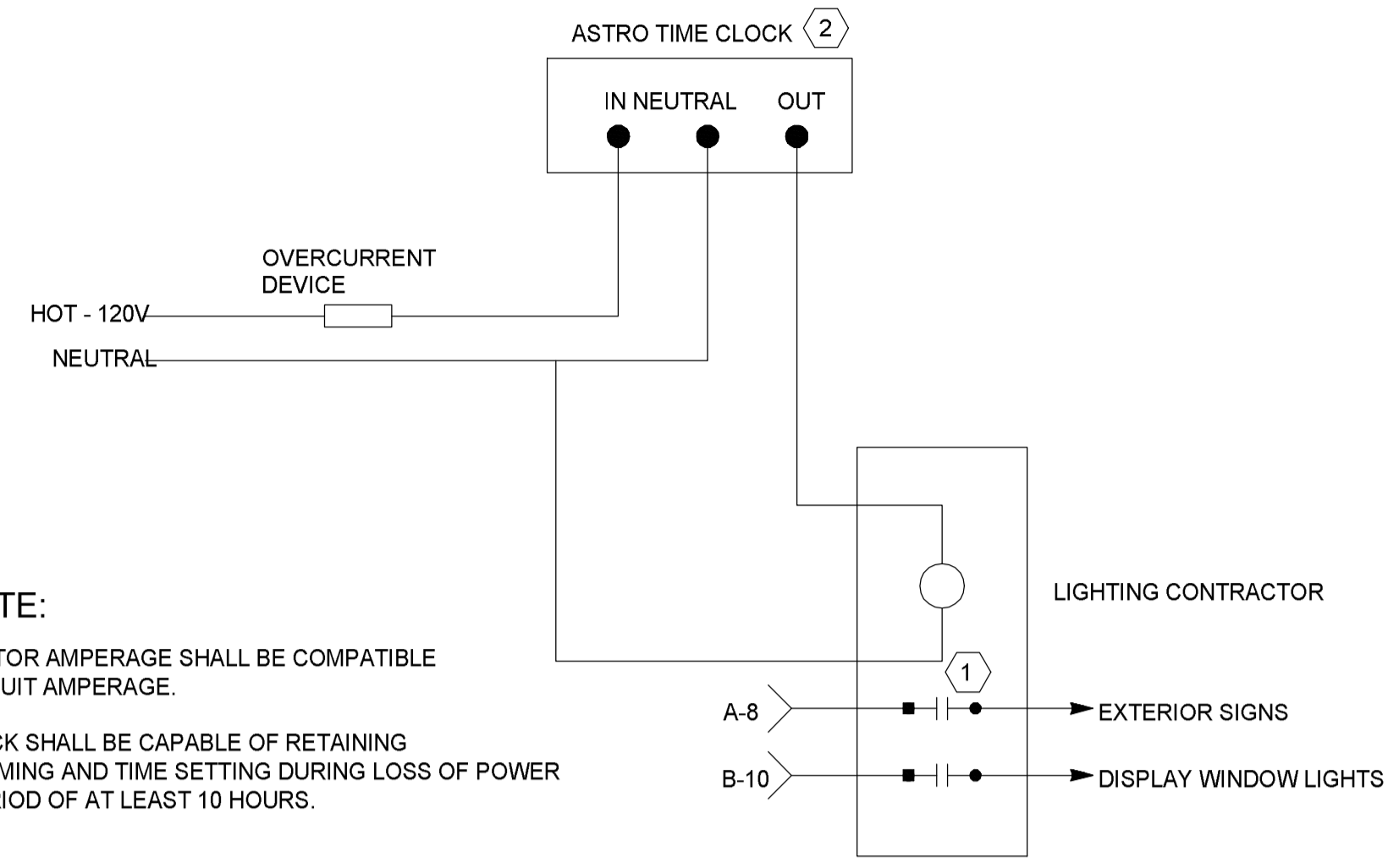


NOTES:

- CONNECT FROM NEW PHONE BOARD TO EXISTING TELEPHONE BOX WEST SIDE OF BUILDING 1-1/2" FOR TELEPHONE AND 1" FOR CATV. PROVIDE A PULL STRING BACK TO MAIN BUILDING TELEPHONE TERMINAL BOARD.

4 COMMUNICATIONS RISER DIAGRAM

E500 1/8" = 1'-0"

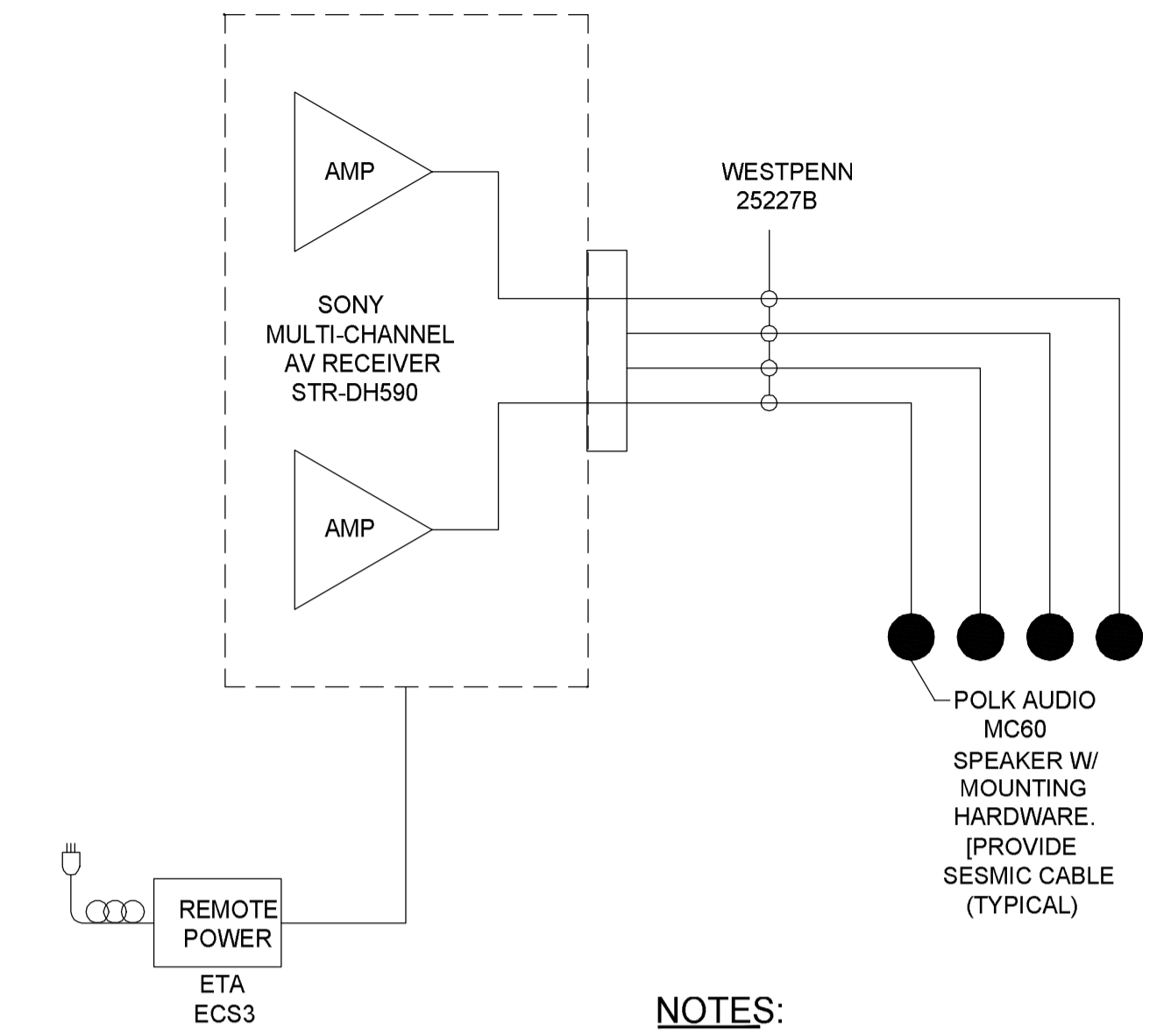


KEYED NOTE:

- CONTRACTOR AMPERAGE SHALL BE COMPATIBLE WITH CIRCUIT AMPERAGE.
- TIME CLOCK SHALL BE CAPABLE OF RETAINING PROGRAMMING AND TIME SETTING DURING LOSS OF POWER FOR A PERIOD OF AT LEAST 10 HOURS.

3 LIGHTING CONTROL WIRING DIAGRAM

E500 1/8" = 1'-0"

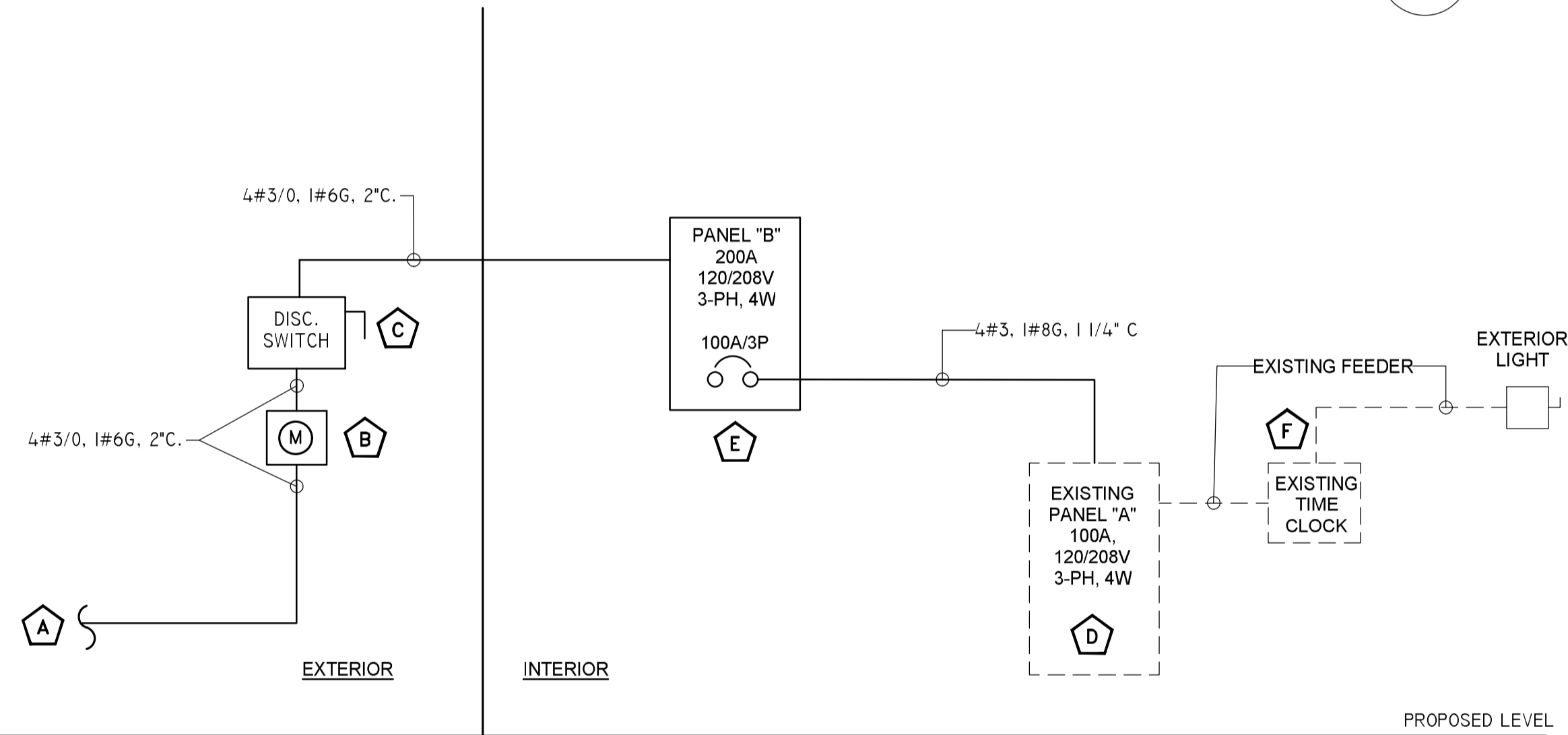


NOTES:

- ELECTRICAL CONTRACTOR TO PROVIDE AND INSTALL CABLE AS NOTED. OWNER TO PROVIDE SOUND SYSTEM EQUIPMENT.

2 SOUND SYSTEM RISER DIAGRAM

E500 1/8" = 1'-0"



#	RISER DIAGRAM KEYED WORK NOTES
A.	UPGRADE EXISTING 100A, 120/208V, 3-PH SERVICE TO 200A, 120/208V 3-PH SERVICE. E.C SHALL COORDINATE WITH OWNER/BASE BUILDING FOR SERVICE UPGRADE AND MORE DETAILS.
B.	NEW 200A, 120/208V, 3-PHASE ELECTRICAL METER CL200. E.C. TO COORDINATE FOR LOCATION ON FIELD.
C.	NEW 200A, 120/208V 3-PHASE ELECTRICAL DISCONNECT SWITCH. E.C. TO COORDINATE FOR LOCATION ON FIELD.
D.	EXISTING 100A, 120/208V, 3-PH 4W ELECTRICAL PANEL TO RMAIN AND TO BE REUSED. E.C TO VERIFY PANEL NAME, SIZE, LOCATION AND OPERABLE CONDITION OF ELECTRICAL PANEL.
E.	NEW 200A, 120/208V, 3-PHASE ELECTRICAL PANEL "B" SIEMENS. E.C SHALL COORDINATE EXACT LOCATION WITH ARCHITECT/OWNER ON FIELD.
F.	EXISTING TIME CLOCK TO REMAIN. E.C SHALL VERIFY THE OPERABLE CONDITION OF TIME CLOCK AND ITS ASSOCIATED BRANCH CIRCUIT AND CIRCUIT BREAKER, IF FOUND INOPERABLE OR DAMAGE PROVIDE NEW ONE, BASE BID ACCORDINGLY.

ELECTRICAL RISER SYMBOLS:	
	NEW
	EXISTING ITEM/FEEDER TO REMAIN
	EXISTING ITEM/FEEDER TO BE DISCONNECTED & REMOVEDD

1 ONE LINE DIAGRAM

E500 1/8" = 1'-0"