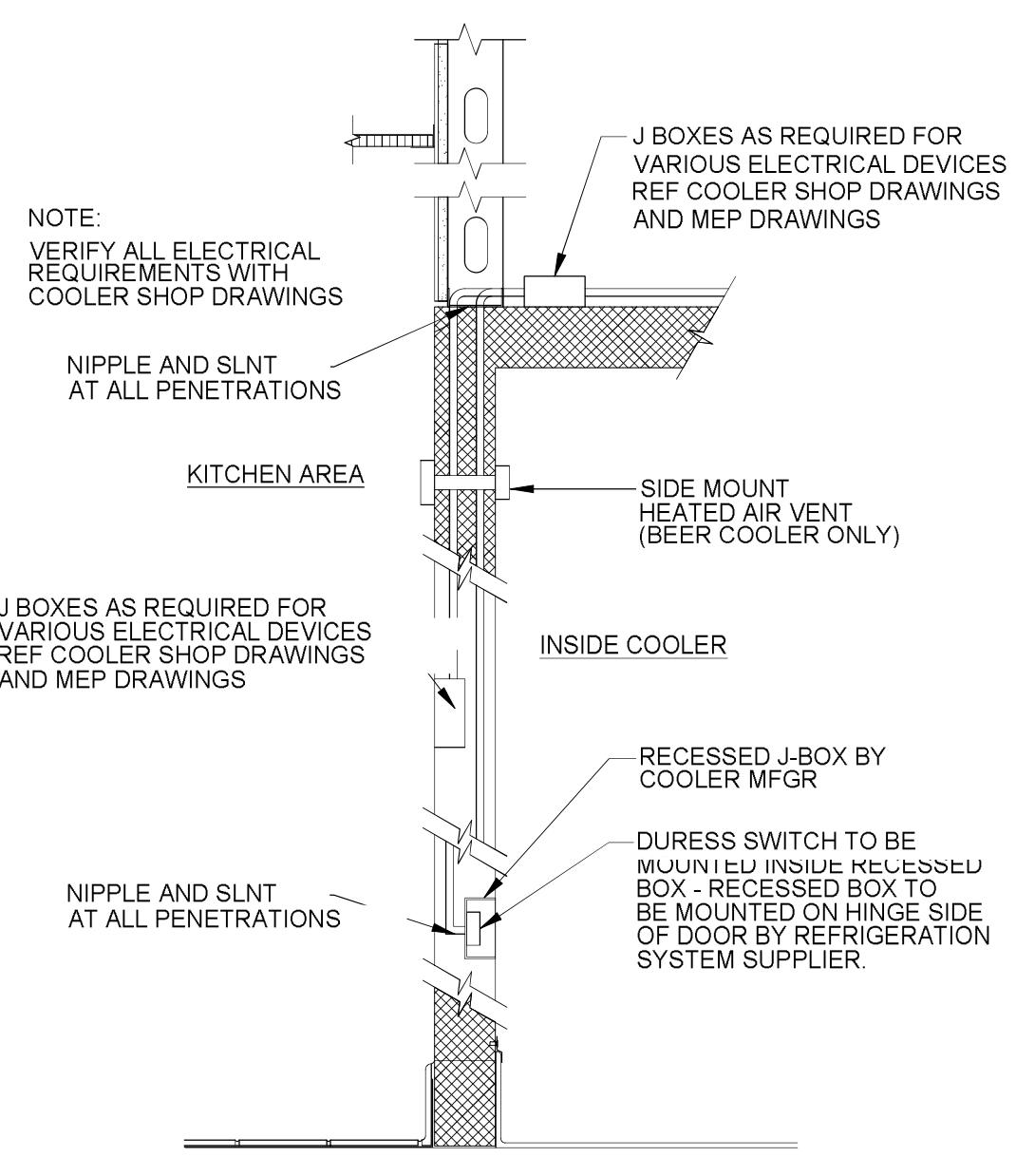
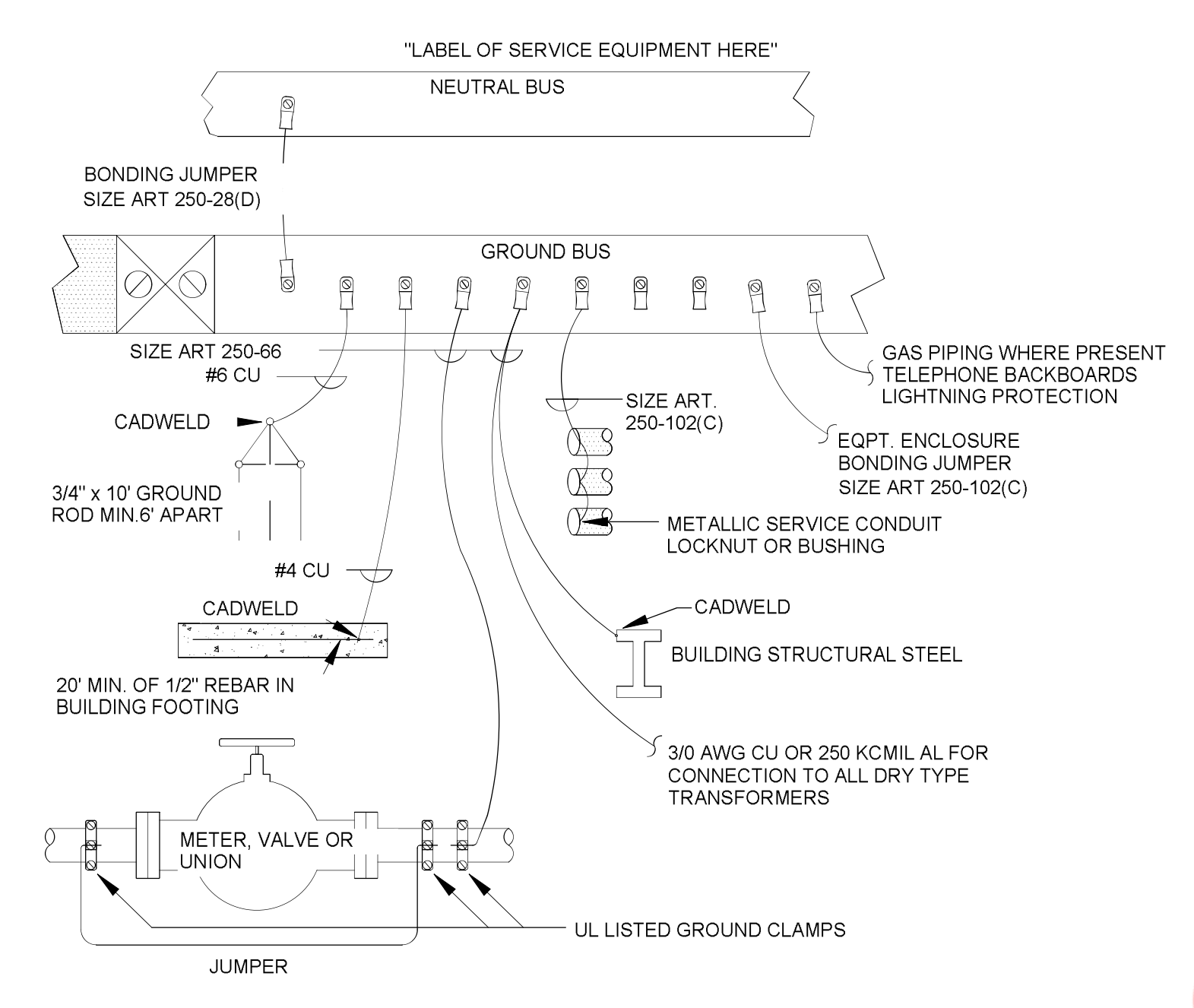


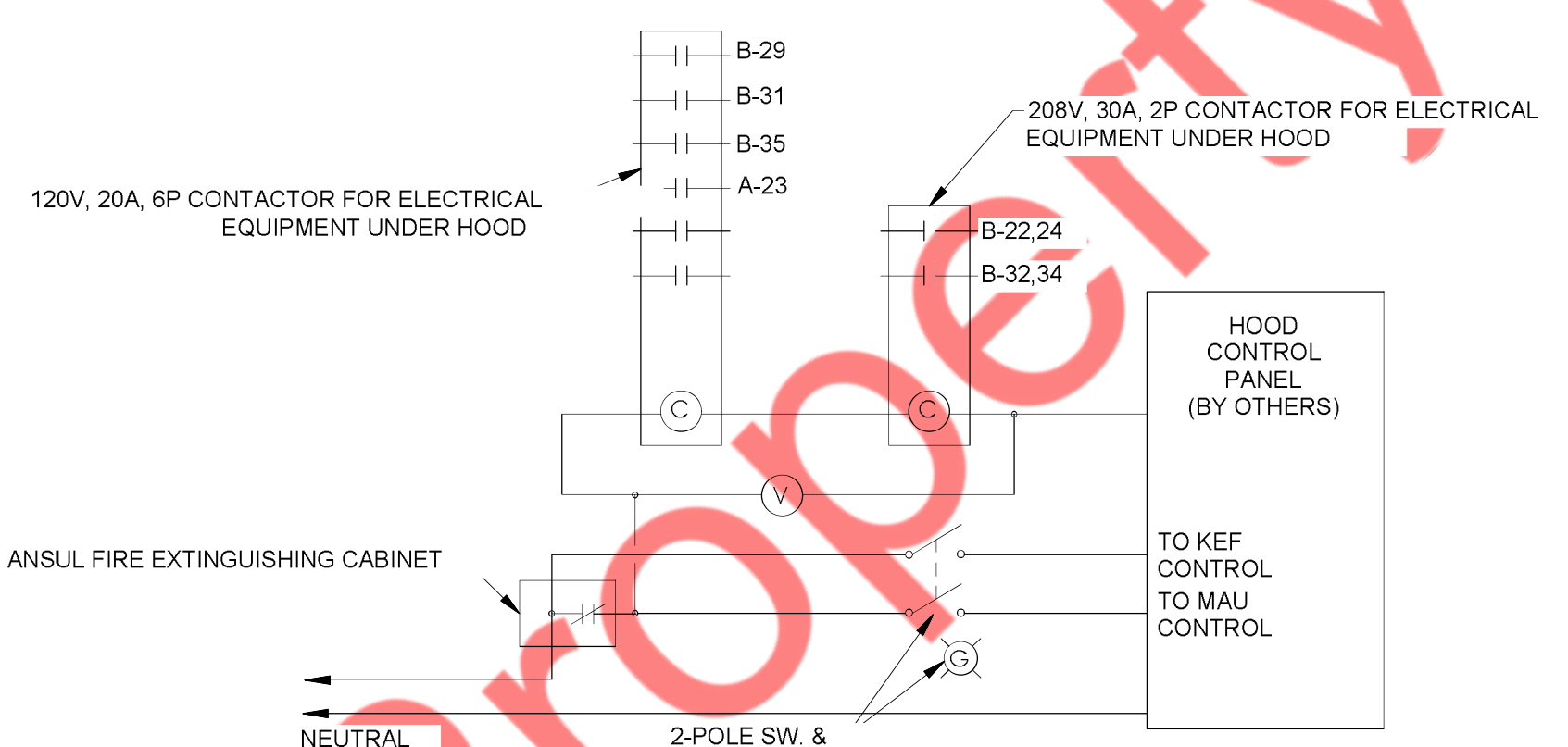
1 TV BRACKET RECEPTACLE DETAIL (NIC) N.T.S.



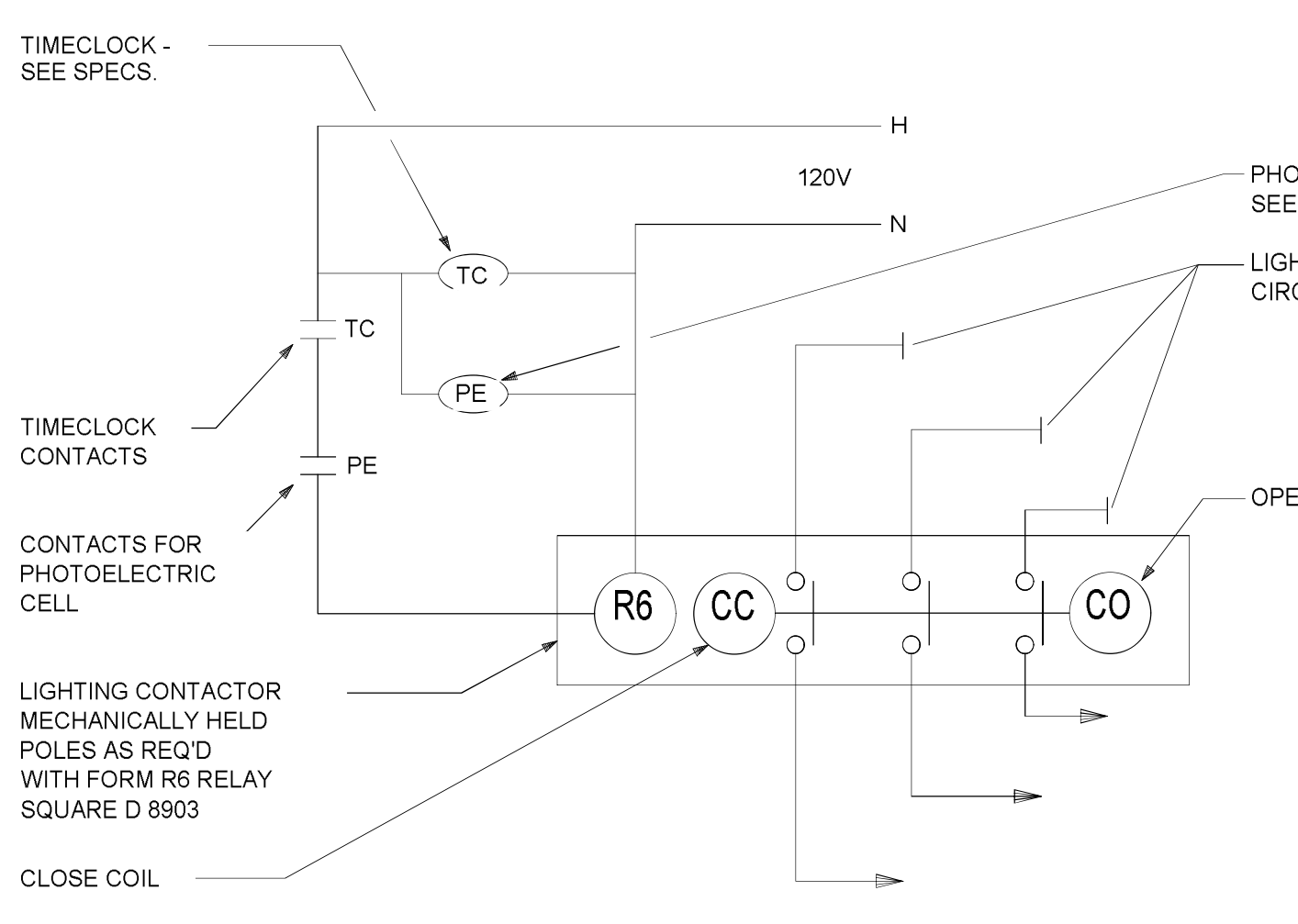
2 COOLER/FREEZER DETAIL N.T.S.



3 SERVICE GROUND DETAIL N.T.S.



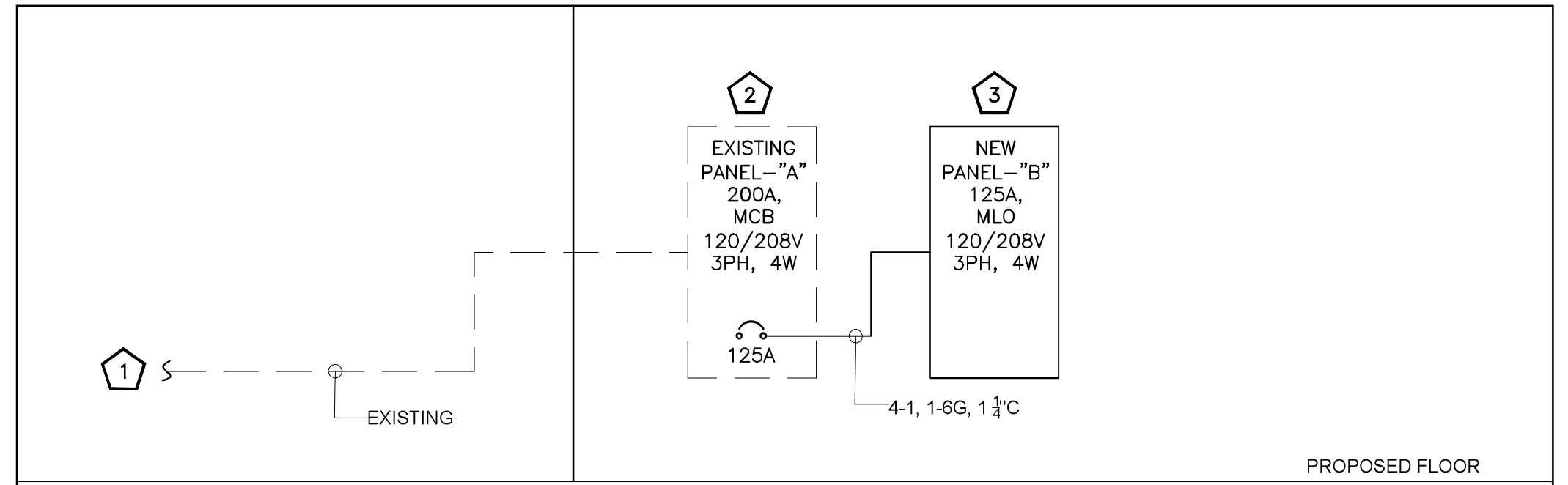
5 HOOD FIRE SUPPRESSION INTERFACE WIRING SCHEMATIC N.T.S.



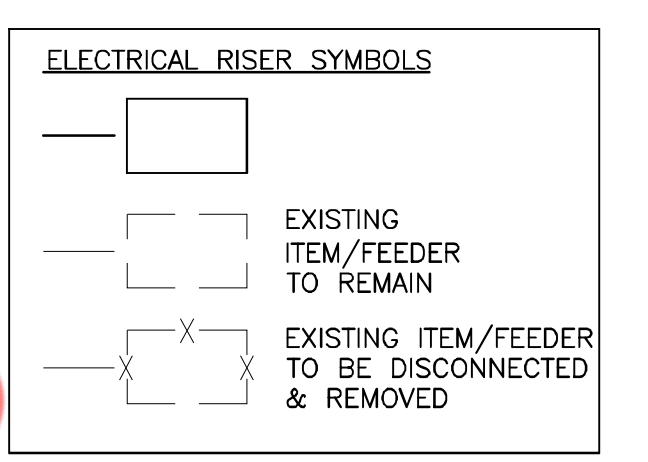
4 MECHANICALLY HELD OUTSIDE LIGHTING CONTROL N.T.S.

GENERAL NOTES

- E.C. TO VERIFY ALL EXISTING EQUIPMENT TO REMAIN IS IN GOOD WORKING ORDER. VERIFY EXISTING GROUNDING COMPLIES WITH NEW TABLE 250-122. CHECK THAT ALL TERMINATIONS ARE TIGHTENED. CONTACT SURFACES ARE CLEAN. VERIFY SWITCHES, DOORS, AND COVERS ARE INSTALLED CORRECTLY. ALL EXISTING SYSTEMS ARE TO BE RESTORED TO GOOD WORKING ORDER BY THE E.C. REPAIR ALL GROUNDING CONNECTIONS WHICH APPEAR TO BE DAMAGED NOTIFY ARCHITECT OF ANY DISCREPANCIES WITH FIELD CONDITIONS TO THIS RISER DIAGRAM.
- ELECTRICAL EQUIPMENT AND MATERIAL TO BE U.L. LISTED, LABELED AND INSTALLED PER NEC. PROVIDE ARC FAULT LABEL PER UTILITY COMPANY'S ESTABLISHED LEVEL AT EACH POINT IN DISTRIBUTION SYSTEM. VERIFY ALL NEW AND EXISTING TO REMAIN BREAKERS ARE RATED ACCORDING TO AVAILABLE FAULT CURRENT LEVEL AT THEIR RESPECTIVE POINTS. COORDINATE NEW LOAD ON SERVICE WITH POWER COMPANY.
- COORDINATE MECHANICAL HVAC PACKAGE WITH MECHANICAL CONTRACTOR PRIOR TO ROUGH-IN. VERIFY LOADS SCHEDULED IS CONSISTANT WITH EQUIPMENT NAMEPLATE DATA AT TIME OF CONSTRUCTION.
- CONTRACTOR SHALL COORDINATE PLANS AND SPECIFICATIONS WITH LOCAL AUTHORITY HAVING JURISDICTION FOR LOCAL CODE COMPLIANCE WHERE ANY MODIFICATION TO PLANS OR SPECIFICATIONS IS REQUIRED. THE CONTRACTOR SHALL NOTIFY THE ARCHITECT AND INCLUDE ALL PRICE ESCALATIONS IN BID.
- CONTRACTOR IS RESPONSIBLE FOR FIELD VERIFICATION OF ALL CONDITIONS AND REPORTING ANY CONFLICTS TO THE ENGINEER PRIOR TO THE START OF WORK.
- ALL MAIN SERVICE ENTRANCE EQUIPMENT SHALL BE U.L. LABELED AND LISTED TO MEET AVAILABLE FAULT CURRENT FROM LOCAL UTILITY COMPANY.
- CONDUCTORS ARE BASED ON 75° COPPER TYPE THWN UNLESS OTHERWISE SPECIFIED.
- EQUIPMENT SHALL BE IN ACCORDANCE WITH N.E.C. ARTICLE 250.
- ELECTRICAL CONTRACTOR SHALL SELECT FUSE (A.I.C.) TO MATCH OR EXCEED UTILITY CO. AVAILABLE FAULT CURRENT AND INSTALL IN DISCONNECT.



- RISER GENERAL NOTE:**
- ELECTRICAL CONTRACTOR TO COORDINATE FAULT CURRENT (ISC) RATING WITH UTILITY COMPANY AND AHJ PRIOR TO COMMENCING ANY WORK.
  - ABOVE RISER FOR REFERENCE PURPOSE ONLY. E.C. SHALL VERIFY EXACT POWER DISTRIBUTION IN FIELD. INFORM ENGINEER ON RECORD FOR ANY DISCREPANCY.
  - E.C. SHALL VERIFY RATINGS AND OPERABLE CONDITIONS OF ALL EXISTING ELECTRICAL EQUIPMENTS BEING REUSED.
  - E.C. TO COORDINATE AND VERIFY SCOPE OF WORKS WITH OWNER/LANDLORD AND BASE BID ACCORDINGLY.



- ELECTRICAL RISER KEYED WORK NOTES:**
- EXISTING 200A, 120/208V, 3 PHASE, ELECTRICAL FEEDER FOR SPACE TO REMAIN. E.C. SHALL VERIFY RATING AND OPERABLE CONDITION OF FEEDER IN FIELD. REPLACE IF FOUND INOPERABLE BASE BID ACCORDINGLY.
  - EXISTING 200A, 120/208V, 3 PHASE, ELECTRICAL PANEL "A" TO REMAIN. E.C. SHALL VERIFY LOCATION OF PANEL IN FIELD. RELOCATE IF REQUIRED. EXTEND/PROVIDE NEW FEEDER IF NEEDED.
  - NEW 125A, 120/208V, 3 PHASE, ELECTRICAL PANEL "B". E.C. SHALL CO-ORDINATE WITH ARCHITECT/OWNER FOR EXACT LOCATION OF PANEL.

PANEL SCHEDULE GENERAL NOTE:

- E.C. SHALL REPLACE THE BREAKER FROM THE EXISTING PANEL WHERE EVER REQUIRED TO MATCH WITH THE RATING OF THE BREAKER MENTIONED IN THE PANEL SCHEDULE.
- E.C. SHALL VERIFY THE RATING AND OPERABLE CONDITION OF THE EXISTING BREAKERS. REPLACED IF FOUND INOPERABLE. BASE BID ACCORDINGLY.

PANEL: A (EXISTING)		MOUNTING: SURFACE	
120/240	VOLTS,	3	PHASE
MCB	200A	BUS:	200A
NOTE:		4	WIRE
CTK NO.	TRIP AMPS	DESCRIPTION OF LOAD	LOAD TYPE
1	20	ROOF GFI RECEPTACLES	R
3			M
5	30/2P	FREEZER CONDENSER	M
7			O
9	125/3P	TO PANEL B	O
11			O
13			M
15	40/3P	RTU-1 ( E )	M
17			M
19	20	EF-1	M
21	20	QC-17-R# U.C. REFRIGERATOR	E
23	20	QC-03D-R# U.C. REFRIGERATOR	E
25	20	QC-16R# SANDWICH STATION	E
27	20	QC-01-L# REACH IN REFRIGERATOR	E
29	20	CIRCULATION PUMP	E
		20.76	23.47
		23.62	

PANEL: B (NEW)		MOUNTING: SURFACE	
120/240	VOLTS,	3	PHASE
MLO	125A	BUS:	125A
NOTE:		4	WIRE
CTK NO.	TRIP AMPS	DESCRIPTION OF LOAD	LOAD TYPE
1	30	QH-05 # WARMER DRAWER	E
5	20	SPARE	R
7	20	VT-02 # KDU SCREEN	R
9	20	VT-03 # SECURITY MONITOR	R
11	20	AB-01 # BAG N BOX	E
13	20	AG-01 # GREASE RECOVERY	E
15	20	VO-02 # COMPUTER HUB	E
17	20	VO-04 # DATA RACK	E
19	20	VO-05 # SECURITY MONITOR	E
21	20	VO-06 # MUSIC PLAYER	R
23	20	VO-08 # VOLUME CONTROL BOX	E
25	20	VO-10 # MODEM	R
27	30	QH-07 # HEATEDHOLDING CABINET	E
29	20	QH-01 # 3 BANK GAS FRYER	E
31	20	QH-02 # 2 BANK GAS FRYER	E
33	20	SPARE	
35	20	QH-17 # GRIDDLE	E
37	20	SPARE	
39	20	KITCHEN - GENERAL RECEPTACLE	L
41	20	QUEUING - GENERAL RECEPTACLE	L
		14.22	14.07
		15.56	