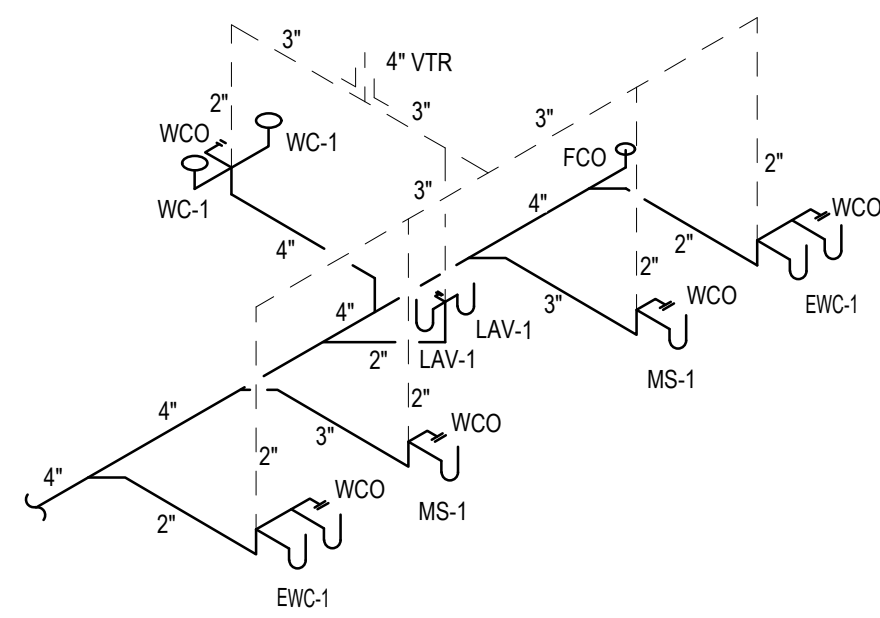


1 ENLARGED FLOOR PLAN - SANITARY  
SCALE: 1/4" = 1'-0"

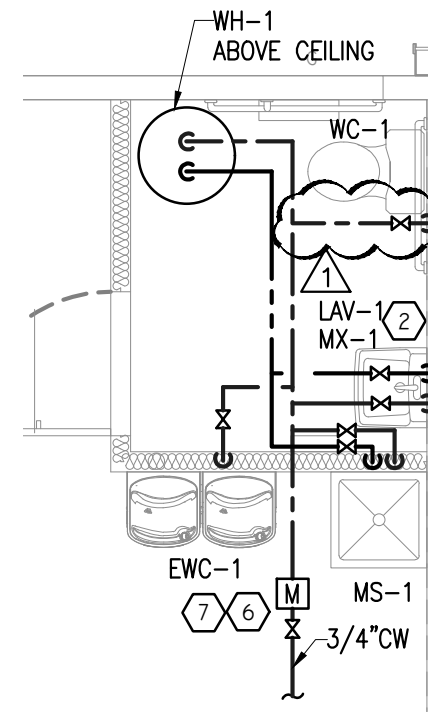


2 SANITARY RISER DIAGRAM  
NTS

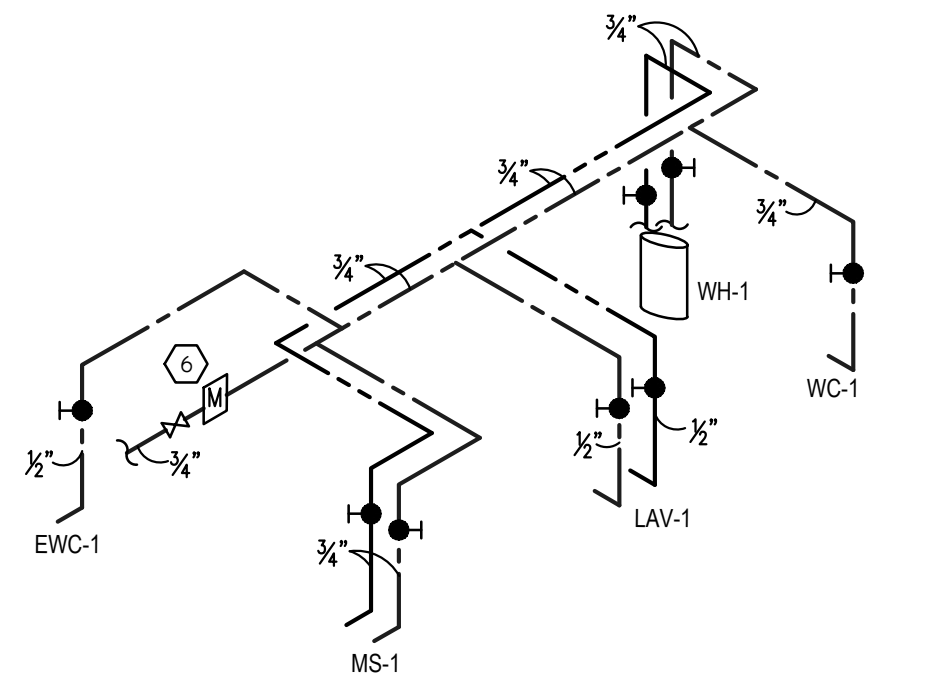


PLUMBING KEYED NOTES:

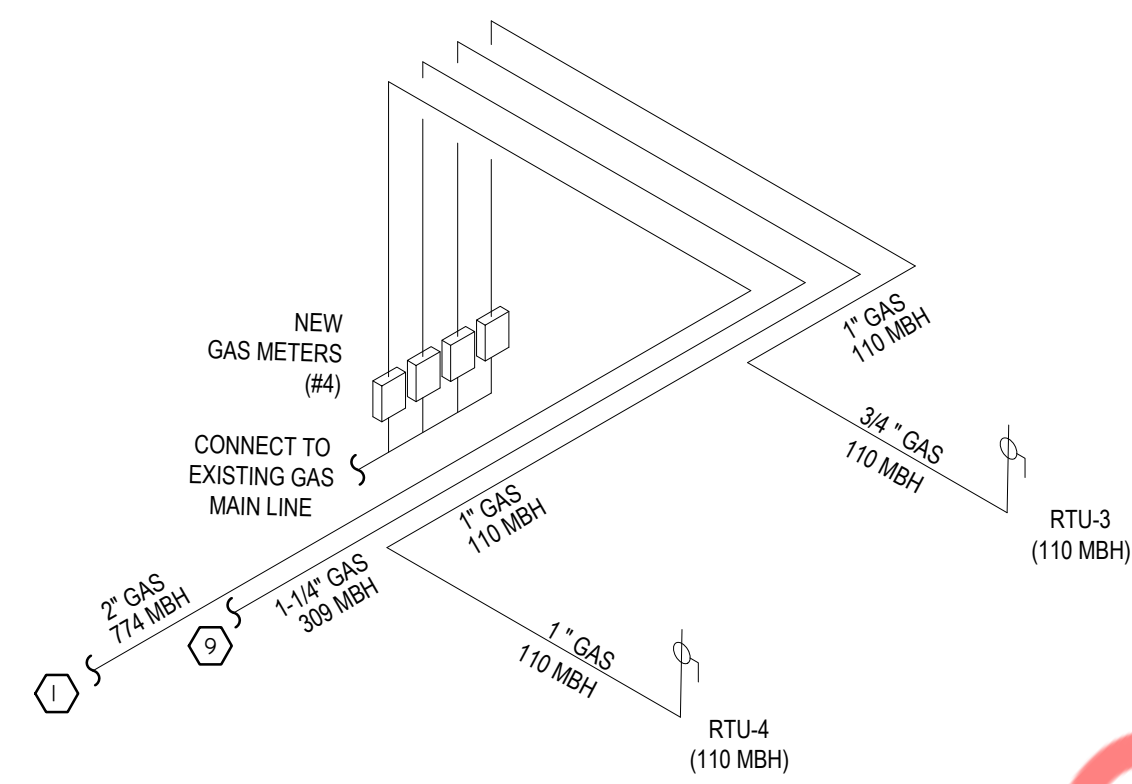
- ① SEE ENLARGED SANITARY FLOOR PLAN FOR WORK IN THIS AREA.
- ② SEE SHEET P-1 AND P-0.1B FOR CONTINUATION.
- ③ CONNECT TO EXSITING SANITARY LINE.



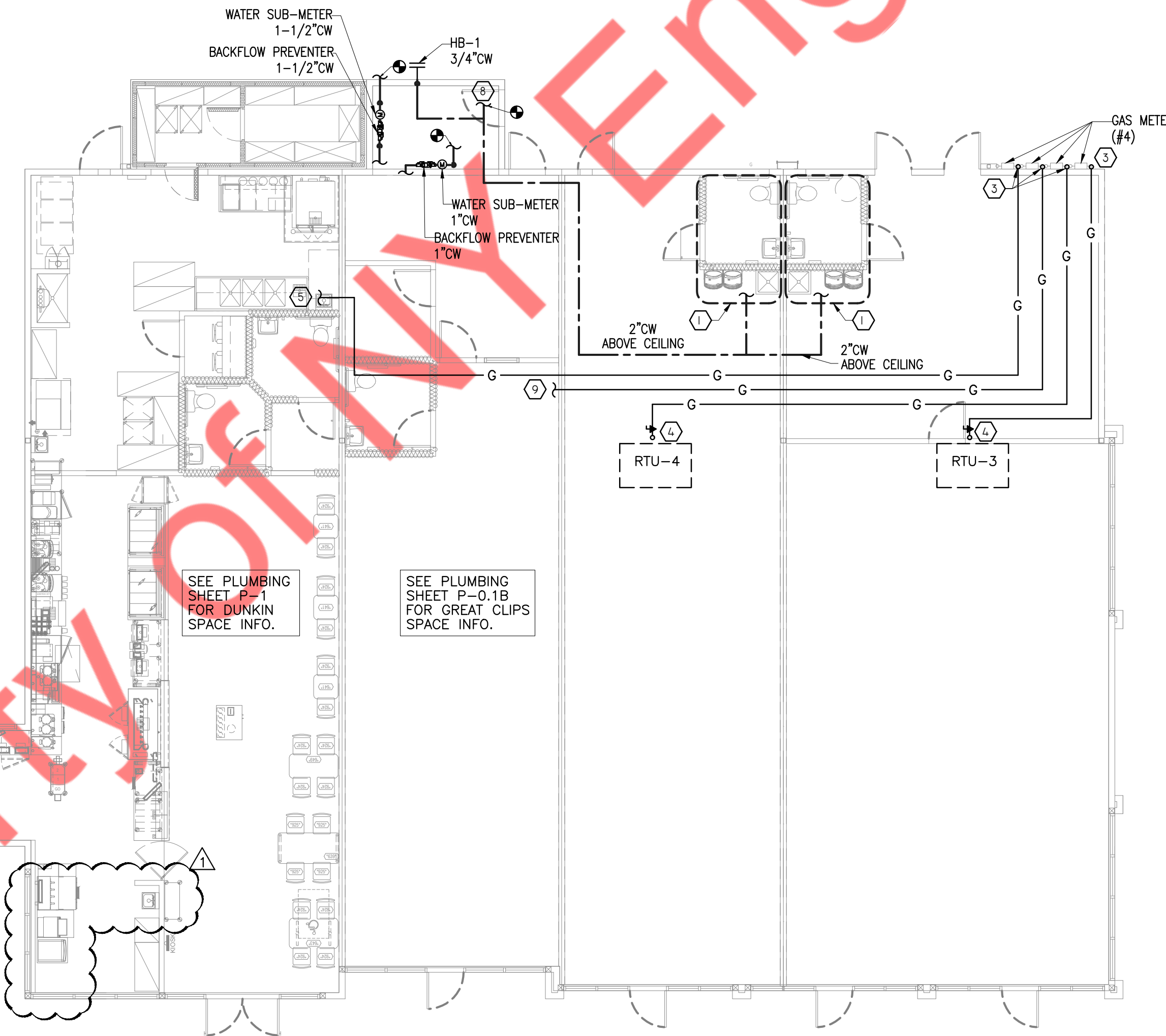
1 ENLARGED FLOOR PLAN - WATER  
SCALE: 1/4" = 1'-0"



2 WATER RISER DIAGRAM  
NTS



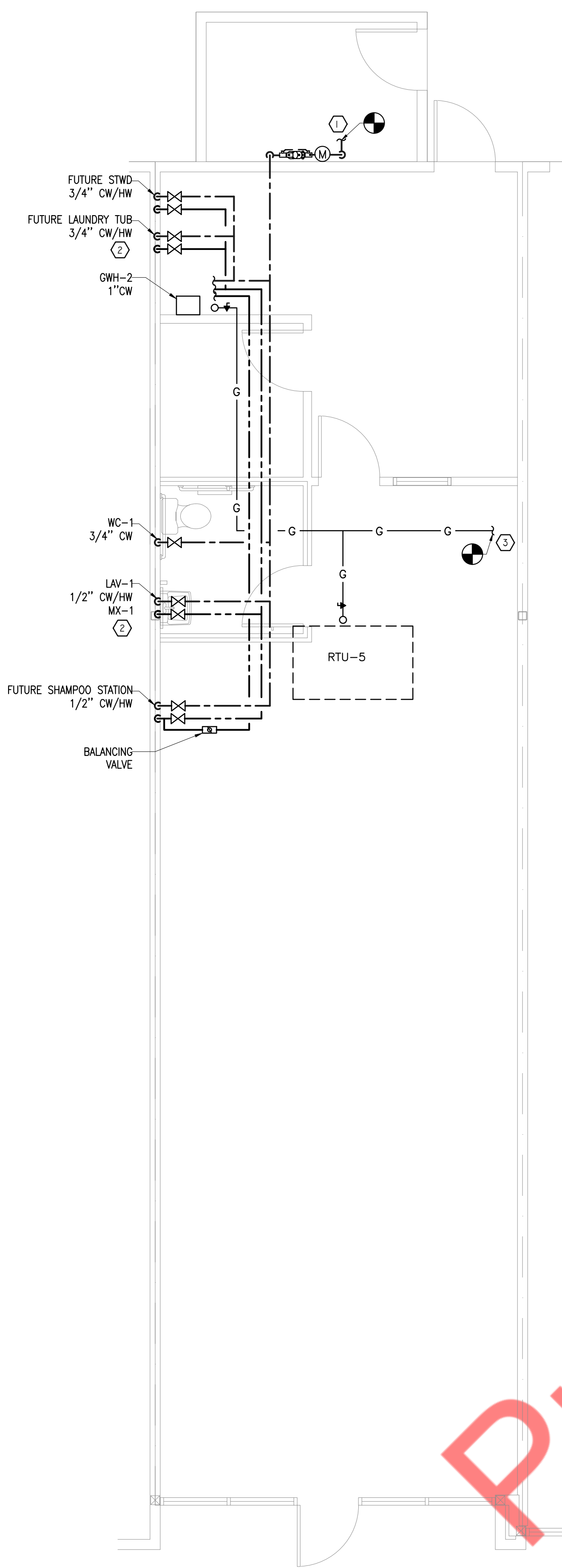
3 GAS RISER DIAGRAM  
NTS



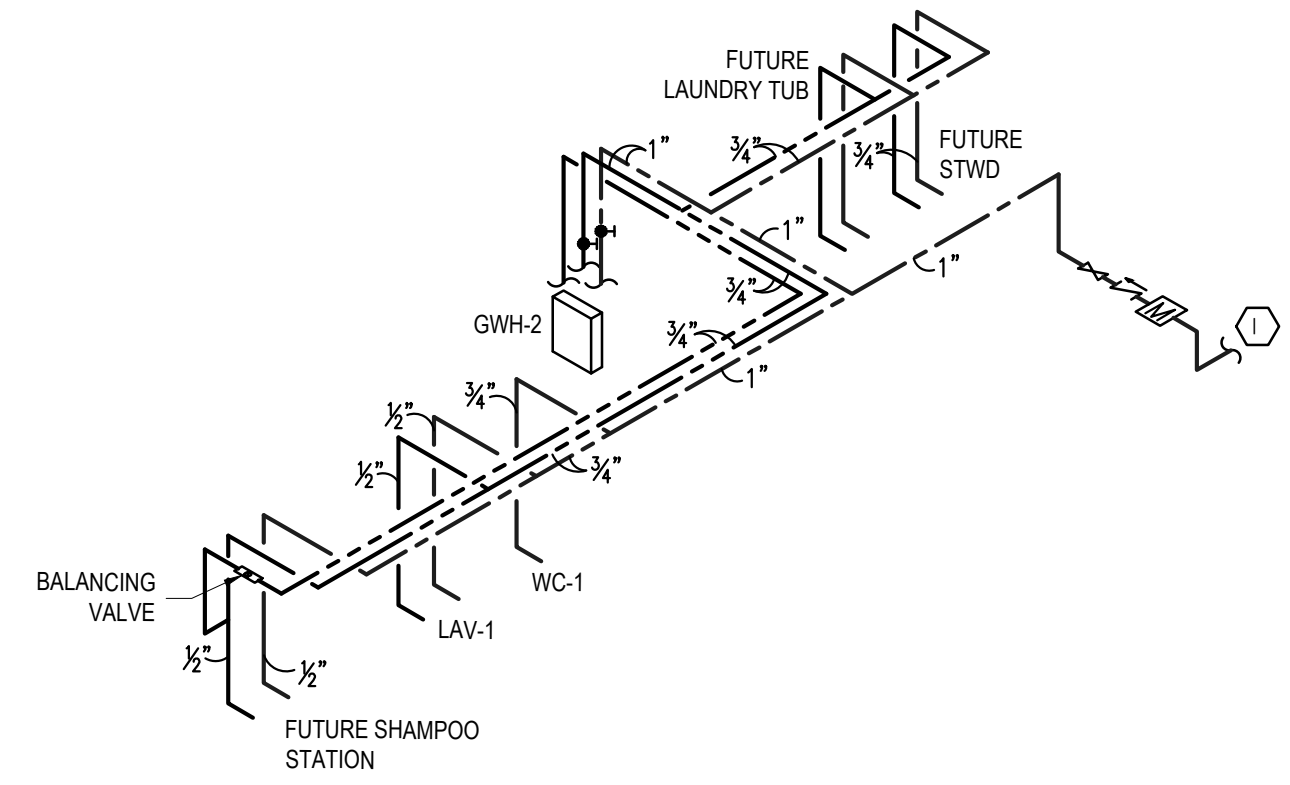
- PLUMBING KEYED NOTES:
- ① SEE ENLARGED FLOOR PLAN FOR WORK IN THIS AREA.
  - ② PROVIDE THERMOSTATIC MIXING VALVES AT ALL LAVATORIES, RACK WASH AND HAND SINKS. SET AT 110° F MAX.
  - ③ ROUTE GAS PIPING UP AND THRU WALL TO ABOVE CEILING. TYPICAL OF 4. CONTRACTOR SHALL VERIFY EXACT LOCATION.
  - ④ ROUTE GAS PIPING UP AND THRU ROOF CURB TO ROOF TOP UNIT. CONTRACTOR SHALL VERIFY EXACT LOCATION.
  - ⑤ 2" GAS PIPING, SEE SHEET P-1A FOR CONTINUATION.
  - ⑥ WATER SUB-METER.
  - ⑦ SUB-METER READER LOCATED ON WALL MOUNTED AT 5'-0" AFF. (TYP OF 3).
  - ⑧ EXTEND AND CONNECT NEW 2" CW PIPING TO EXISTING CW WATER LINE. CONTRACTOR SHALL VERIFY EXACT LOCATION AND SIZE. PROVIDE BFP AS PER LOCAL REGULATIONS.
  - ⑨ 1-1/4" GAS PIPING, SEE SHEET P-0.1B FOR CONTINUATION.

E1 WATER & GAS FLOOR PLAN

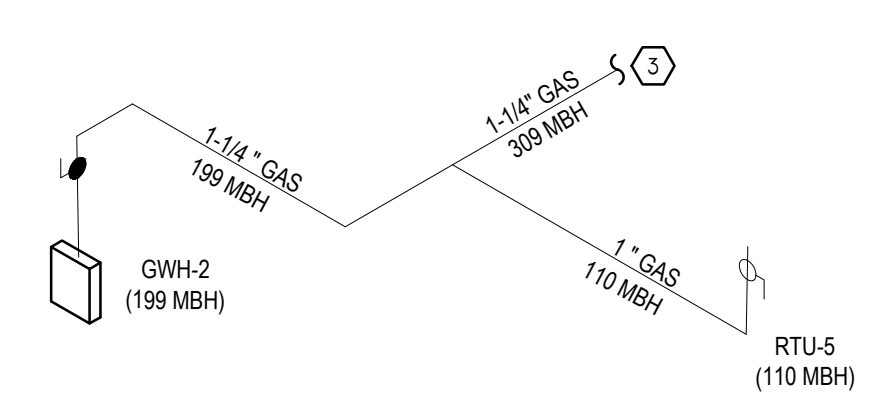
SCALE: 1/8" = 1'-0"



**B1 WATER & GAS FLOOR PLAN**  
SCALE: 1/4" = 1'-0"



**1 WATER RISER DIAGRAM**  
NTS



**2 GAS RISER DIAGRAM**  
NTS

GAS LOAD SUMMARY	
EQUIPMENT	MBH LOAD
WATER HEATER(GWH-2)	199
RTU-5	110
<b>TOTAL LOAD</b>	<b>309</b>

**NATURAL GAS PIPING SYSTEM**  
 PROVIDE A COMPLETE GAS PIPING SYSTEM TO SERVE GAS EQUIPMENT FURNISHED BY OTHERS, AS NOTED ON THE DRAWINGS. PROVIDE EITHER THREADED STEEL OR MALLEABLE IRON PIPE WITH MALLEABLE FITTINGS OR WELDED STEEL. PROVIDE ALL UNIONS, SHUT-OFF VALVES AND DIRT LEGS REQUIRED BY NFPA-54 AND GOVERNING LOCAL CODES AND AT EACH GAS APPLIANCE CONNECTION. PROVIDE ALL TESTS, METERS, INSPECTIONS, HANGERS AND EQUIPMENT CONNECTIONS REQUIRED FOR A COMPLETE AND OPERATING SYSTEM.

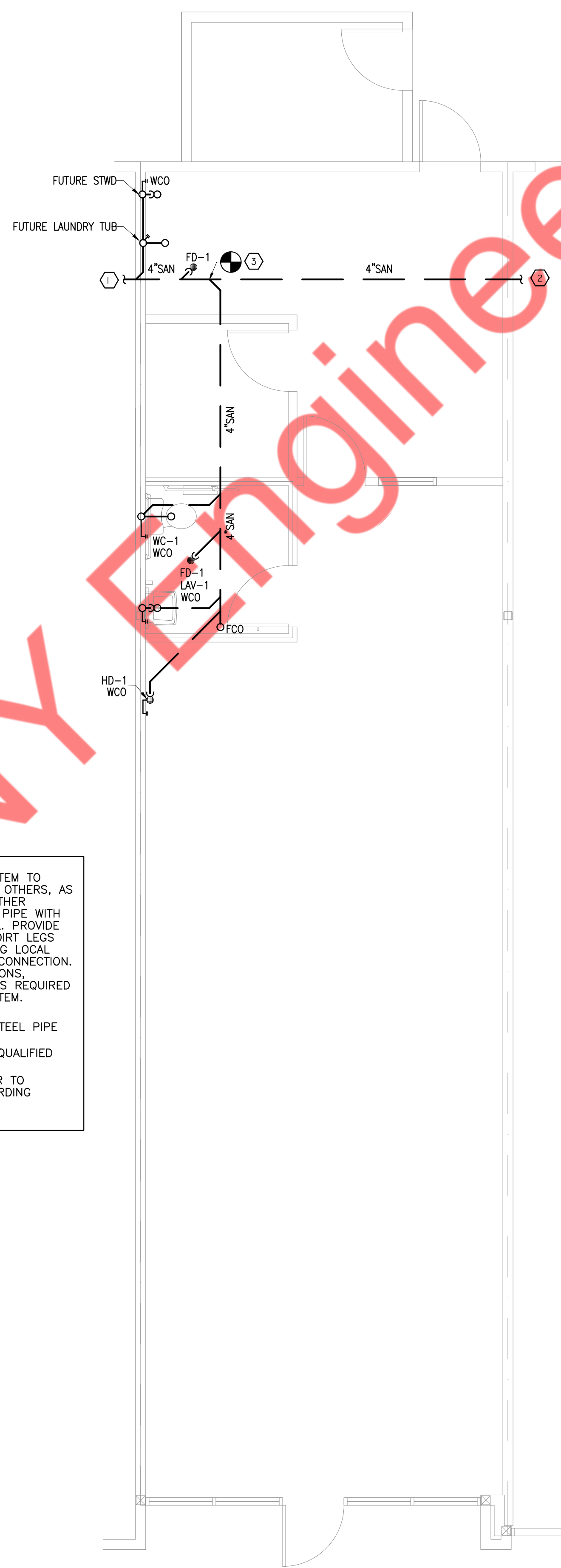
**NOTES:**  
 1. GAS PIPING TO BE SCHEDULE 40 STEEL PIPE W/125 CAST IRON SCREW FITTINGS  
 2. GAS SYSTEM TO BE INSTALLED BY QUALIFIED LICENSED CONTRACTOR.  
 3. VERIFY ALL EQUIPMENT BTU'S PRIOR TO INSTALLATION. ADJUST PIPE SIZE ACCORDING INTERNATIONAL FUEL GAS CODE-2018, TABLE 402.4(2).

GAS PIPE SIZING PER TABLE 402.4(2)  
 -INTERNATIONAL FUEL GAS CODE 2018

GAS INLET PRESSURE- LESS THAN 2 PSI.  
 PRESSURE DROP- 0.5"WC  
 SPECIFIC GRAVITY- 0.60  
 EQUIVALENT LENGTH OF PIPE = 133 FT

**PLUMBING KEYED NOTES:**

- ① EXTEND AND CONNECT NEW 1" CW PIPING TO EXISTING CW WATER LINE. CONTRACTOR SHALL VERIFY EXACT LOCATION AND SIZE. PROVIDE BFP AS PER LOCAL REGULATIONS.
- ② PROVIDE THERMOSTATIC MIXING VALVES AT LAVATORY AND FUTURE LAUNDRY TUB. SET AT 110° F MAX.
- ③ CONNECT NEW 1-1/4" GAS PIPING TO EXISTING GAS METER. CONTRACTOR SHALL VERIFY EXACT LOCATION AND CAPACITY OF EXISTING GAS METER, IF REQUIRED.



**K1 SANITARY FLOOR PLAN**  
SCALE: 1/4" = 1'-0"

**PLUMBING FIXTURE SCHEDULE:**

GWH-2: TANKLESS GAS WATER HEATER - WALL MOUNTED TANKLESS GAS FIRED WATER HEATER, NORITZ MODEL NC1991 DVC, INPUT: 199000 BTUH CAPACITY PROVIDE 4.2 GPM @ 80°F TEMPERATURE RISE. THERMAL EFFICIENCY: 84%. GAS TYPE-NATURAL GAS. PROVIDE DIRECT VENT FOR INTERIOR MOUNTING AS PER MANUFACTURE'S RECOMMENDATION. CONDENSATE TO BE NEUTRALIZED AND DRAINED AS PER LOCAL CODES.

SA: SHOCK ABSORBER- SHALL BE J.R.SMITH 5005 THRU 5050 AND SIZED AS RECOMMENDED BY MANUFACTURER.

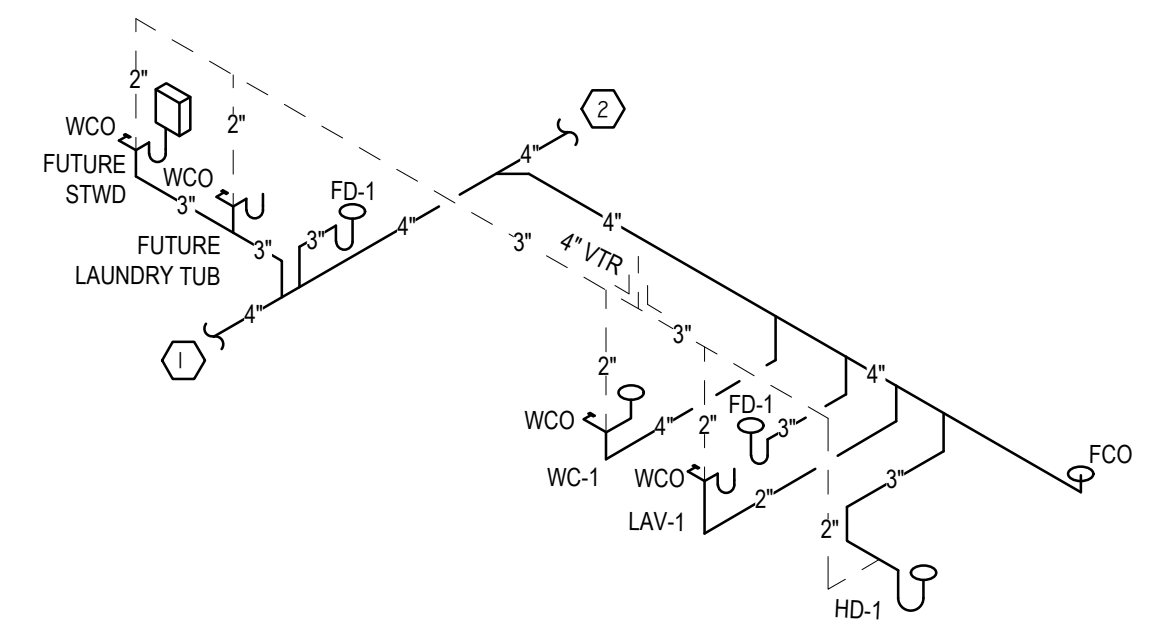
MX-1: MIXING VALVE - WATTS USG-B-M2, ASSE 1070.

TPP: TRAP PRIMER SHALL BE MIFAB MI-300 ELECTRONIC TRAP SEAL PRIMER WITH AIR GAP. DISTRIBUTION UNIT WITH CONTROL PANEL. 120 VAC.

WCO: WALL CLEAN OUT - ZURN #Z-144, SMOOTH STAINLESS STEEL ACCESS COVER, DURA-COATED CAST IRON BODY. MATCH TO PIPE SIZE.

HD-1: HUB DRAIN - ZURN, #Z1870, SMOOTH STAINLESS STEEL AND CORROSION RESISTANT. MATCH TO PIPE SIZE.

FD-1: FLOOR DRAIN - ZURN Z-415-P WITH "TYPE B" ADJUSTABLE STRAINER TOP WITH SQUARE HEELPROOF OPENING AND SECURED GRATE. DURA COATED IRON BODY WITH TRAP PRIMER CONNECTION. MATCH TO PIPE SIZE.



**3 SANITARY RISER DIAGRAM**  
NTS

**PLUMBING KEYED NOTES:**

- ① SEE SHEET P-1 FOR CONTINUATION.
- ② SEE SHEET P-0.1 FOR CONTINUATION.
- ③ EXTEND AND CONNECT NEW 4" SANITARY PIPING TO SHELL BUILDING SANITARY LINE. CONTRACTOR SHALL VERIFY EXACT SIZE AND LOCATION.