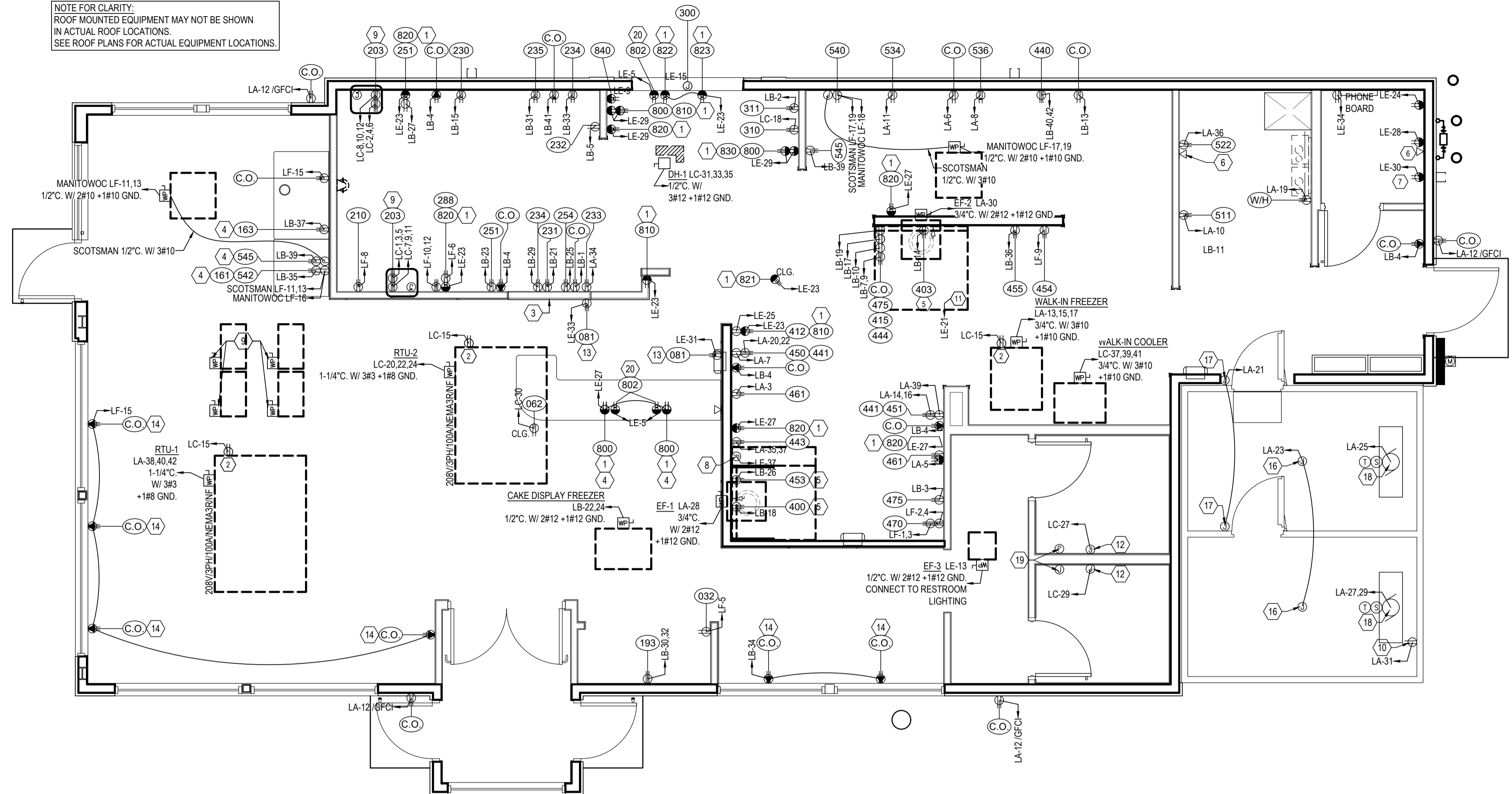
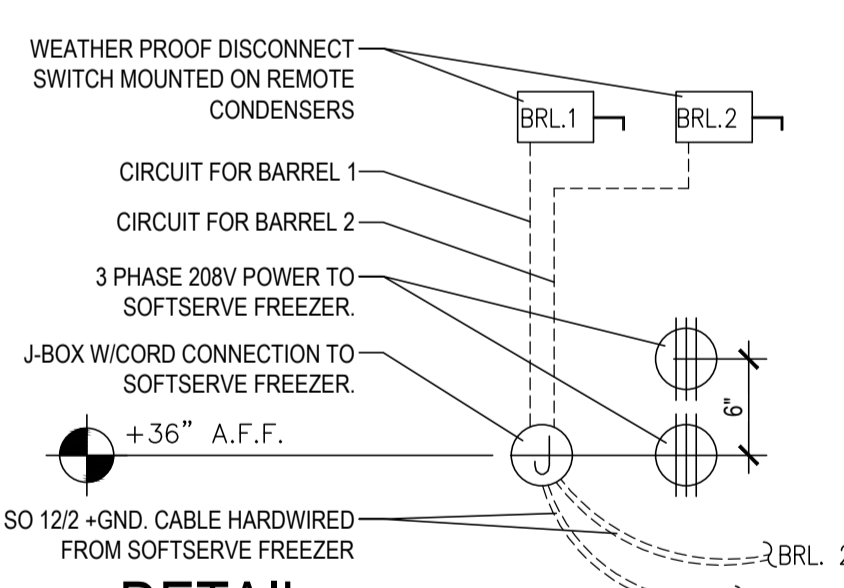


NOTE FOR CLARITY:
ROOF MOUNTED EQUIPMENT MAY NOT BE SHOWN
IN ACTUAL ROOF LOCATIONS.
SEE ROOF PLANS FOR ACTUAL EQUIPMENT LOCATIONS.



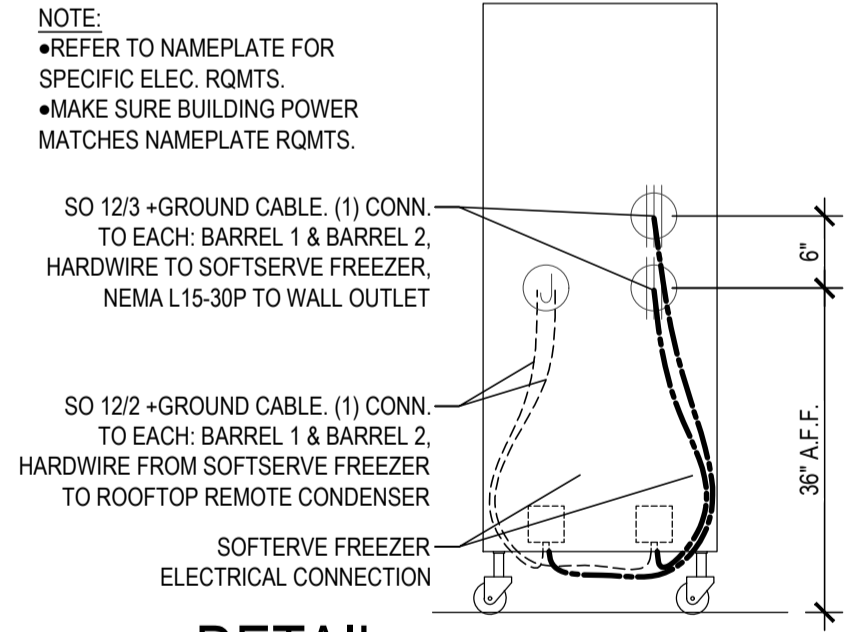
1 POWER PLAN

E1.1 SCALE: 1/4" = 1'-0"



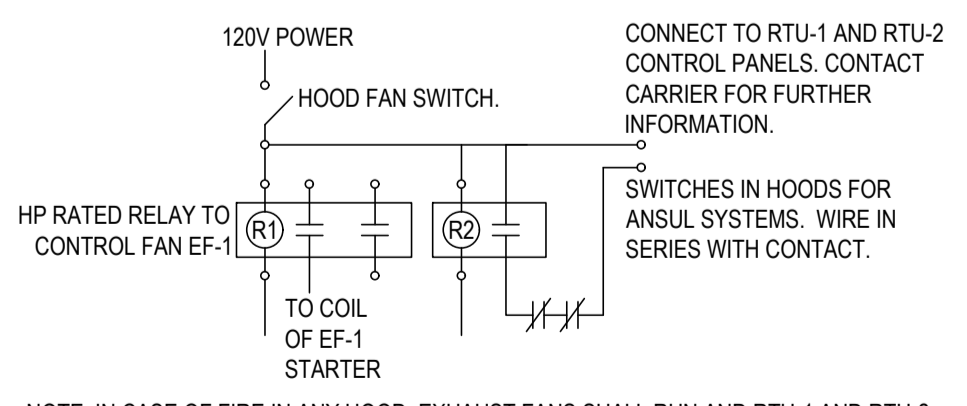
2 DETAIL

E1.1



3 DETAIL

E1.1



NOTE: IN CASE OF FIRE IN ANY HOOD, EXHAUST FANS SHALL RUN AND RTU-1 AND RTU-2 SHALL SHUT DOWN. VERIFY REQUIREMENTS WITH AUTHORITY HAVING JURISDICTION AND PROVIDE ALL WIRING, RELAYS, ETC. FOR A COMPLETE AND WORKING SYSTEM.

4 DETAIL FOR REFERENCE

E1.1

EQUIPMENT/HVAC NOTES (GRILL & CHILL)

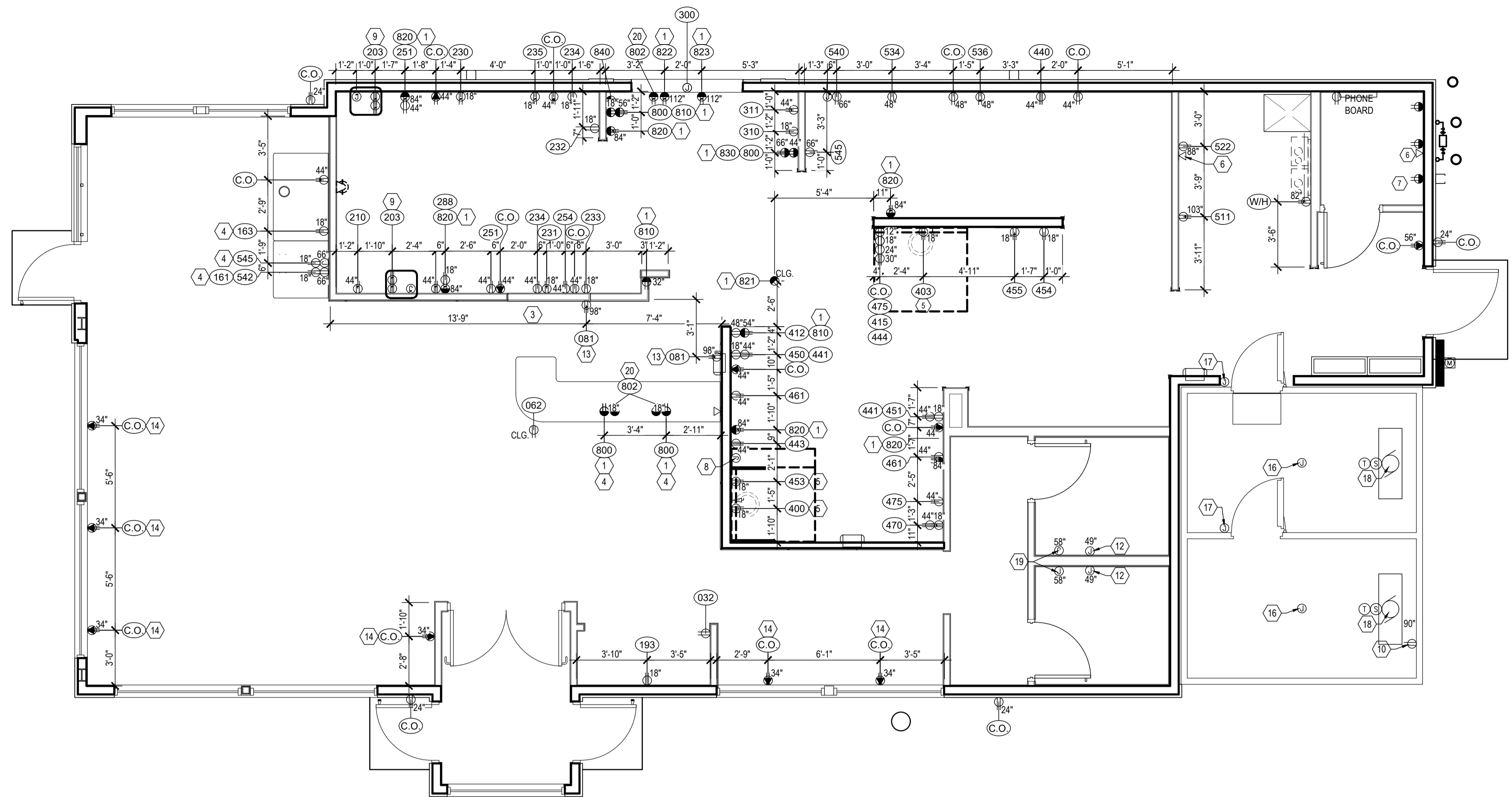
DH-1	DUCT HEATER #1: 208V/3PH, 3.5KW, E.C. TO PROVIDE 30A-3P NEMA 1 NON-FUSED DISCONNECT. PROVIDE JUNCTION BOX AND 1/2" EMPTY CONDUIT WITH PULL LINE STUBBED TO ACCESSIBLE CEILING SPACE FOR THERMOSTAT PROVIDED BY OTHERS. E.C. TO PROVIDE NYLON BUSHINGS. COORDINATE LOCATION WITH MECHANICAL DRAWINGS.
EF-1	EXHAUST FAN #1: 3/4 HP-208V/3PH, ELECTRICAL CONTRACTOR TO FIELD WIRE KITCHEN FAN CONTROL SWITCH PROVIDED BY HOOD MANUFACTURER TO EXHAUST HOOD AND HOOD LIGHTING. ELECTRICAL CONTRACTOR FIELD WIRE SHUNT TRIP BREAKERS TO SPARE RELAY CONTACTS IN KITCHEN FAN CONTROL SWITCH. FIELD VERIFY AND COORDINATE WITH OTHER TRADES. STARTER TO BE MOUNTED BELOW CEILING ADJACENT TO THE HOOD.
EF-2	EXHAUST FAN #2: 1/6 HP-120V-1PH. WP TOGGLE SWITCH ON UNIT BY MANUFACTURER. CONNECT TO RESTROOM LIGHTING CIRCUIT. PROVIDE RELAYS AND MISCELLANEOUS HARDWARE AS REQUIRED.
EF-3	EXHAUST FAN #3: 1/6 HP-120V-1PH. WP TOGGLE SWITCH ON UNIT BY MANUFACTURER. CONNECT TO RESTROOM LIGHTING CIRCUIT. PROVIDE RELAYS AND MISCELLANEOUS HARDWARE AS REQUIRED.
RTU-1	ROOFTOP UNIT #1: 208V/3PH. E.C. TO MAKE FINAL CONNECTIONS TO SERVICE DISCONNECT AND GFI RECEPTACLE PROVIDED ON UNIT. PROVIDE JUNCTION BOX AND 1/2" EMPTY CONDUIT WITH PULL LINE STUBBED TO ACCESSIBLE CEILING SPACE FOR THERMOSTAT PROVIDED BY OTHERS. E.C. TO PROVIDE NYLON BUSHINGS. COORDINATE LOCATION WITH MECHANICAL DRAWINGS.
RTU-2	ROOFTOP UNIT #2: 208V/3PH. E.C. TO MAKE FINAL CONNECTIONS TO SERVICE DISCONNECT AND GFI RECEPTACLE PROVIDED ON UNIT. PROVIDE JUNCTION BOX AND 1/2" EMPTY CONDUIT WITH PULL LINE STUBBED TO ACCESSIBLE CEILING SPACE FOR THERMOSTAT PROVIDED BY OTHERS. E.C. TO PROVIDE NYLON BUSHINGS. COORDINATE LOCATION WITH MECHANICAL DRAWINGS.
193	DISPLAY FREEZER: 115V/60/1, E.C. TO PROVIDE 8' OF CORD AND NEMA L5-15 PLUG & RECEPTACLE FOR EACH FREEZER. ROOF TOP COMPRESSOR: 208-230V/60/1, E.C. PROVIDE WATERPROOF 30A FUSED DISCONNECT SWITCH FOR EACH UNIT. E.C. TO MAKE FINAL CONNECTION.
203	SOFTSERVE FREEZER: 208-230V, 3 PHASE - PROVIDE 10GA. x6'-0" LONG, 3 WIRE W/ GROUND CORD AND NEMA L15-30 PLUG & RECEPTACLE PER BARREL, TYPICALLY (2) CONNECTIONS PER SOFTSERVE FREEZER. SOFTSERVE CONDENSER: POWER HARDWIRED FROM SOFTSERVE FREEZER, PROVIDE WP 10A, 2 POLE DISCONNECT AT EACH CONDENSER
210	COUNTERTOP MISTY SLUSH FREEZER: E.C. TO PROVIDE TAYLOR (PRIMARY): 115V/1PH, NEMA PLUG & RECEPTACLE AND APPROXIMATELY 6' CORD. STOELTING (ALTERNATE): 115V/1PH, NEMA 5-15 RECEPTACLE. HC DUKE (ALTERNATE): 115V/1PH, NEMA 5-20 PLUG & RECEPTACLE AND APPROXIMATELY 6' CORD.
540	MANITOWOC (PRIMARY) ICE MAKER AND REMOTE CONDENSER: E.C. TO PROVIDE NEMA 5-20 PLUG & RECEPTACLE WITH APPROXIMATELY 4' CORD FOR THE ICE MAKER. E.C. TO PROVIDE 30A/2P WATERPROOF DISCONNECT SWITCH FUSED AT 25A ON REMOTE CONDENSER. REFRIGERATION CONTRACTOR TO INSTALL COMMUNICATION WIRE (THERMOSTAT WIRE) WITH INSTALLATION OF THE LINE SETS. COMMUNICATION WIRE IS PART OF LINE SET PACKAGE. FIELD VERIFY ALL REQUIREMENTS BEFORE ROUGH-IN.
542	SCOTSMAN (ALTERNATE) ICE MAKER AND REMOTE CONDENSER: E.C. TO PROVIDE NEMA 6-20 PLUG & RECEPTACLE WITH APPROXIMATELY 4' CORD FOR THE ICE MAKER. E.C. TO PROVIDE 4" OR FLEXIBLE SEAL TIGHT CONDUIT WITH 2 #12 WIRES BETWEEN FLUSH MOUNTED WALL JUNCTION BOX AND SERVICE JUNCTION BOX LOCATED ON BACK OF ICE MAKER. E.C. TO PROVIDE 20A/2P WATERPROOF DISCONNECT SWITCH FUSED AT 20A ON REMOTE CONDENSER. FIELD VERIFY ALL REQUIREMENTS BEFORE ROUGH-IN.

GENERAL NOTES

- ALL EQUIPMENT SHALL BE WIRED TO PANEL AND CIRCUIT NUMBER SHOWN. PROVIDE ELECTRICAL CONDUIT TO PANEL IS PREFERRED, MC CABLE ONLY IF LOCAL CODES ALLOW (TYPICAL UNLESS SHOWN OTHERWISE).
- ELECTRICAL CONTRACTOR SHALL PROVIDE ANY ADDITIONAL CONVENIENCE OUTLETS PER TENANT/OOWNER, AT TENANT/OOWNER'S EXPENSE.
- IN ALL KITCHEN AREAS, ALL RECEPTACLES SHALL BE GFCI PER 2014 NEC SECTION 210.8(B)(3).
- VERIFY LOCATIONS AND ELECTRICAL REQUIREMENTS OF ALL ROOF TOP EQUIPMENT BEFORE ROUGH-IN AND COORDINATE WORK WITH OTHER TRADES.
- PROVIDE WHITE OUTLETS W/ WHITE PLATE IN DINING AREA
- PROVIDE WHITE OUTLET W/ S.S. PLATE IN KITCHEN AREA
- ALL DIMENSIONS & HEIGHTS ARE TO CENTER OF OUTLET

KEY NOTES

- CASH REGISTER/VIDEO MONITOR SYSTEM: WIRING FOR CASH REGISTER/VIDEO MONITOR SYSTEM SHALL BE IN SEPARATE CONDUIT FROM OTHER SYSTEMS AND SHALL HAVE INSULATED/ISOLATED GROUND CONDUCTORS. RECEPTACLES SHALL BE NEMA 5-20R-1G. E.C. SHALL VERIFY WITH OWNER/TENANT ALL WIRING RELATED TO CASH REGISTERS AND VIDEO MONITORS FOR ANY CHANGES OR ADDITIONS BASED ON ACTUAL UNITS USED.
- ROOF TOP RECEPTACLES: ELECTRICAL CONTRACTOR TO PROVIDE AND WIRE COMPLETE GFI/WP RECEPTACLE AT OR NEAR ROOF TOP EQUIPMENT.
- THIS IS A WALL THAT IS NOT FULL HEIGHT, ALL CONDUIT MUST BE ROUTED AROUND THE OPENING OR BE RUN UNDERGROUND.
- E.C. TO MAKE FINAL CONNECTION TO COUNTER RECEPTACLES AFTER COUNTER INSTALLATION.
- EQUIPMENT BENEATH HOODS SHALL HAVE SHUNT TRIP BREAKERS INTERLOCKED WITH FIRE EXTINGUISHING SYSTEM. E.C. TO PROVIDE 120V POWER FOR CONTROLS. SEE PANEL SCHEDULE E4.
- E.C. TO PROVIDE AN EMPTY BOX AND 1/2" CONDUIT STUBBED TO ACCESSIBLE CEILING SPACE FOR PHONE SERVICE. COORDINATE ADDITIONAL PHONE SERVICE LOCATIONS PER OWNER'S REQUEST. FINAL TERMINATION OF PHONE JACKS BY COMMUNICATIONS CONTRACTOR.
- AT THIS LOCATION, E.C. TO PROVIDE PROPERLY SIZED SERVICES FOR THE FOLLOWING ITEMS: 120V/1PH - COMPUTER; 120V/1PH - MONITOR; 120V/1PH - PRINTER/FAX; 120V/1PH ADDING MACHINE; 120V/1PH - CONVENIENCE OUTLET, 120V/1PH WITH ISOLATED AND INSULATED GROUND FOR POS SYSTEM, JUNCTION BOX(ES) - TELEPHONE/DATA LINES, OPEN JUNCTION BOXES FOR STORE SECURITY SYSTEM, OPEN JUNCTION BOXES FOR STORE MUSIC/PAGING SYSTEM.
- ANSUL SYSTEM: E.C. TO PROVIDE JUNCTION BOX AND (1) 20A CIRCUIT FOR ANSUL SYSTEM CONNECTION. VERIFY ALL REQUIREMENTS WITH OTHER TRADES BEFORE ROUGH-IN.
- SERVICE FOR THE CONDENSING UNIT COMES FROM THE SOFTSERVE FREEZER (J BOX ON BACKSIDE OF THE SOFTSERVE FREEZER, SEE DETAIL 2/E1 & 3/E1). ALSO PROVIDE A 10 AMP, 2 POLE DISCONNECT SWITCH AT THE ROOF MOUNTED CONDENSING UNIT. (1) SO 12/2 +GROUND WIRE PER BARREL. CLEARLY LABEL EACH LINE WITH UNIT LETTER AND BARREL NUMBER (A1,A2,B1,B2) AT UNIT & AT ROOF.
- E.C. TO PROVIDE JUNCTION BOX, TOGGLE SWITCH, RECEPTACLE, AND HEAT TAPE FOR DRAIN LINE. COORDINATE LOCATION WITH PLUMBING CONTRACTOR.
- ELECTRICAL CONTRACTOR TO PROVIDE POWER TO KITCHEN FAN CONTROL CENTER. SEE SHEET M4.
- ELECTRIC HAND DRYER PROVIDED BY G.C., INSTALLED BY E.C. INSTALL PER MANUFACTURES RECOMMENDATIONS.
- MENU BOARD OUTLETS TO BE INSTALLED HORIZONTAL.
- USB RECEPTACLES, LEGRAND PASS & SEYMOUR FED SPEC TAMPER-RESISTANT SINGLE RECEPTACLE WITH USB CHARGING (TR5261USB), 15 AMP/125V, NEMA 5-15R, WHITE UNIT WITH WHITE PLATE
- PROVIDE RECESSED SERVICE FLOOR BOX (SINGLE GFCI + DATA) WITH GASKETED (WATER PROOF) COVER PER MANUFACTURES RECOMMENDATIONS.
- WALK-IN LIGHTING PROVIDED BY WALK-IN MFG. INSTALLED BY ELEC. CONTRACTOR, COORD. POWER REQMTS.
- WALK-IN DOOR PANEL CONTROLS PROVIDED BY WALK-IN MFG. INSTALLED BY ELEC. CONTRACTOR, COORD. POWER REQMTS.
- ELECTRICAL CONTRACTOR REFER TO MFG. WIRING DIAGRAM FOR INFORMATION ON WIRING CONTROLS PROVIDED BY MFG.
- HALO-LIT MIRROR. ELECTRICAL CONTRACTOR TO TIE INTO RESTROOM LIGHTING CONTROLS, SEE LIGHTING PLAN.
- ELECTRICAL OUTLET FOR CREDIT CARD READER (#802), E.C. SHALL CONFIRM EXACT POWER REQUIREMENTS WITH MANUFACTURER.



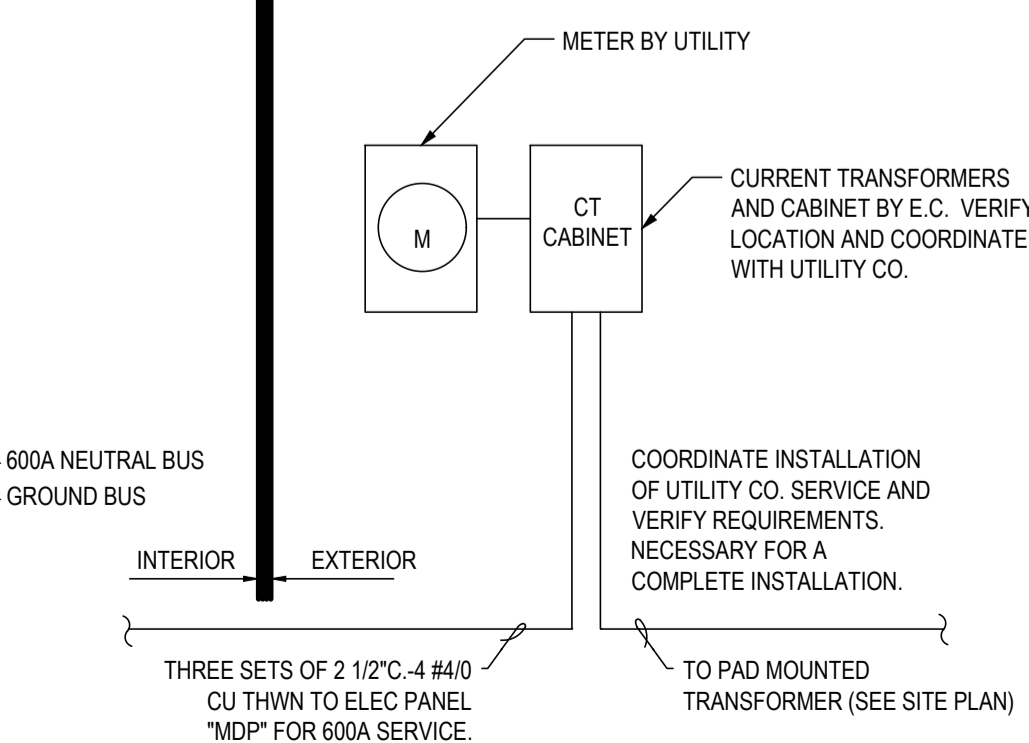
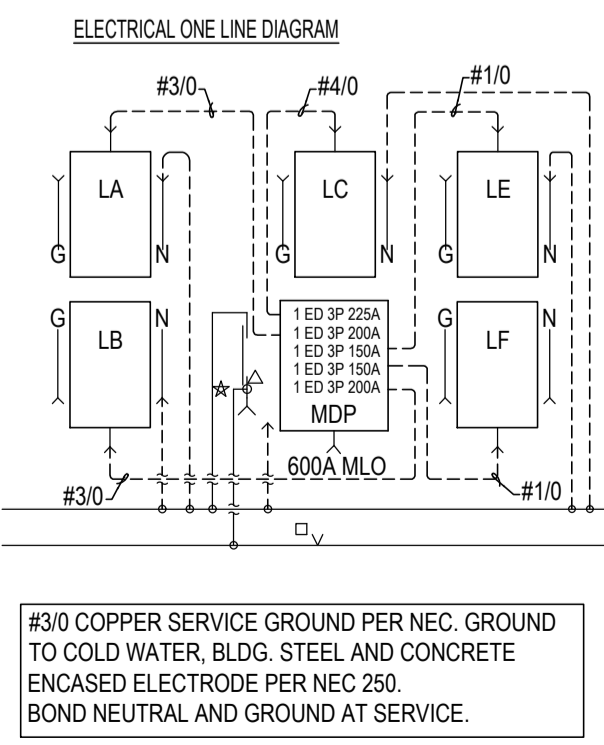
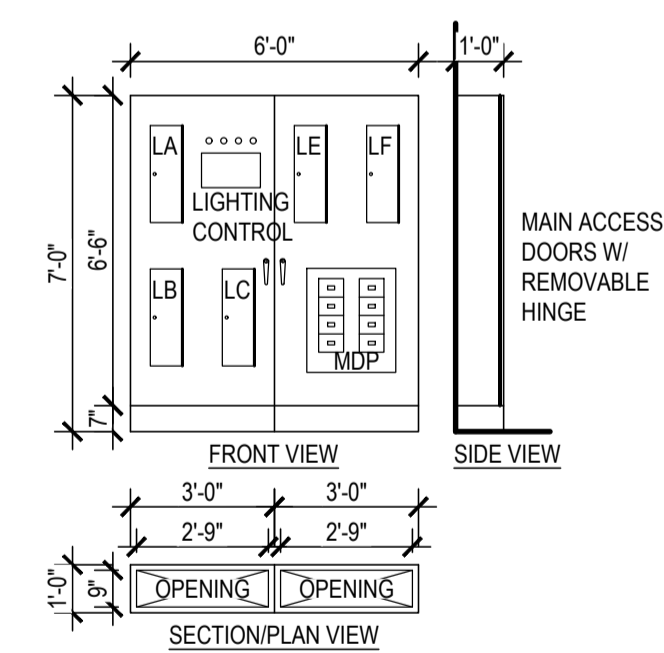
1 ROUGH-IN PLAN
E1.2 SCALE: 1/4" = 1'-0"

- GENERAL NOTES: APPROVED VENDOR, SSI. SEE NATIONAL VENDORS LIST
- WHERE APPLICABLE, ALL PANELBOARDS AND TRANSFORMERS WILL BE FACTORY INSTALLED AND CABLED WITH N.E.C. SIZED CONDUCTORS. SEE THE ONE-LINE DIAGRAM FOR DETAILS. THE CONTRACTOR WILL BE REQUIRED TO MAKE ALL FINAL TERMINATIONS FOR PROPER TORQUE.
 - WHERE APPLICABLE, ALL PANELBOARDS WILL BE RECESS MOUNTED IN THE INTEGRATED SWITCHBOARD TO ALLOW FOR TOTAL FRONT ACCESS. A DEDICATED PANELBOARD WIREWAY IS ALSO PROVIDED.
 - WHERE FACTORY INSTALLED CABLING OCCURS BETWEEN INTEGRATED SWITCHBOARD SHIPPING SPLITS, THE CONTRACTOR WILL BE RESPONSIBLE FOR THE FIELD TERMINATION OF THE CABLES. SEE ELEVATION VIEW DRAWINGS FOR SHIPPING SPLIT INFORMATION.
 - EACH INTEGRATED SWITCHBOARD SHIPPING SPLIT WILL BE PALLETIZED AND SHIPPED IN AN ENCLOSED SEMI-TRAILOR. WHERE APPLICABLE, THE CONTRACTOR SHALL ARRANGE FOR A FORK TRUCK TO UNLOAD AND SET THE EQUIPMENT IN PLACE. 24-HOUR NOTICE WILL BE GIVEN PRIOR TO DELIVERY.
 - ENGINEER OF RECORD SHALL VERIFY AVAILABLE SHORT-CIRCUIT CURRENT AND ADJUST INTERRUPTING CAPACITIES OF PANELBOARDS AS REQUIRED TO MEET CODE.
 - THE E.C. SHALL PROVIDE ALL CUTTING, TRENCHING, BACK-FILLING AND PATCHING AS REQUIRED AND SHALL BE INCLUDED AS PART OF THE E.C.'S WORK.
 - AN INTEGRATED SWITCHBOARD SHALL BE USED FOR THE STORE. INTEGRATED SWITCHBOARD SUPPLIER SHALL COORDINATE SWITCHBOARD LAYOUT, WIREWAYS, EQUIPMENT, AND ALL EQUIPMENT DIMENSIONS WITH THE ELECTRICAL CONTRACTOR BEFORE BUILDING INTEGRATED SWITCHBOARD. THE E.C. SHALL WORK WITH THE INTEGRATED SWITCHBOARD SUPPLIER SO THAT THE INTEGRATED SWITCHBOARD IS CORRECT AND WILL FIT INTO PLACE MEETING ALL N.E.C. CODES BEFORE SHIPPING EQUIPMENT. THE E.C. SHALL COORDINATE ALL CONDUITS AND WIRING INSTALLATION BEFORE ROUGH-IN TO ENSURE THAT THE CONDUITS AND WIRING ARE CORRECT FOR THE INTEGRATED SWITCHBOARD. %NOTE: ANY ADJUSTMENTS OR CHANGES WILL BE THE SOLE RESPONSIBILITY OF THE %E.C. AT NO COST TO THE OWNER
 - THE E.C. SHALL RETORQUE AND RETIGHTEN ALL PANELBOARDS, MDP, BREAKERS AND DISCONNECTS PER MANUFACTURER'S SPECIFICATIONS BEFORE POWER IS TURNED ON. VERIFY THAT CIRCUIT BREAKER PLACEMENTS IN PANELBOARDS AS SHIPPED TO THE JOB SITE MATCH PANEL SCHEDULES. IF NOT, REARRANGE CIRCUIT BREAKERS AS REQUIRED. LABEL AND IDENTIFY ALL LOADS IN MDP AND PANELBOARD DIRECTORIES. VERIFY ALL LOADS SHOWN, AND REPORT ANY CONFLICTS TO THE ENGINEER.
 - INTEGRATED SWITCHBOARD IS SEISMIC RATED

CAUTION - SERIES COMBINATION SYSTEM RATED 65,000 AMPERES. IDENTIFIED REPLACEMENT COMPONENTS REQUIRED.

- LEGEND**
- △ - NEUTRAL DISCONNECT LINK
 - * - NEUTRAL TO GROUND CONNECTION
 - - GROUND LUG
 - v - TERMINAL(S)
 - B.L. - BUS LOCATION
 - - CABLE INSTALLED BY MANUFACTURER
 - - CONTRACTOR SUPPLIED & INSTALLED

SERVICE VOLTAGE 208Y/120V 3 PHASE 4 WIRE
MAIN BUS 600A NEUTRAL BUS 600A CU BUS MAIN LUGS (3) #6-350 MCM 1-350MCM GROUND LUG SUPPLIED AS STANDARD BUS BRACING 65KA SUITABLE ONLY FOR USE AS SERVICE EQUIPMENT NEMA-1 ENCLOSURE FINISH RAL 7035 SWBD ESTIMATED WEIGHT: 900 LBS PER SECTION



#3/0 COPPER SERVICE GROUND PER NEC. GROUND TO COLD WATER, BLDG. STEEL AND CONCRETE ENCASED ELECTRODE PER NEC 250. BOND NEUTRAL AND GROUND AT SERVICE.

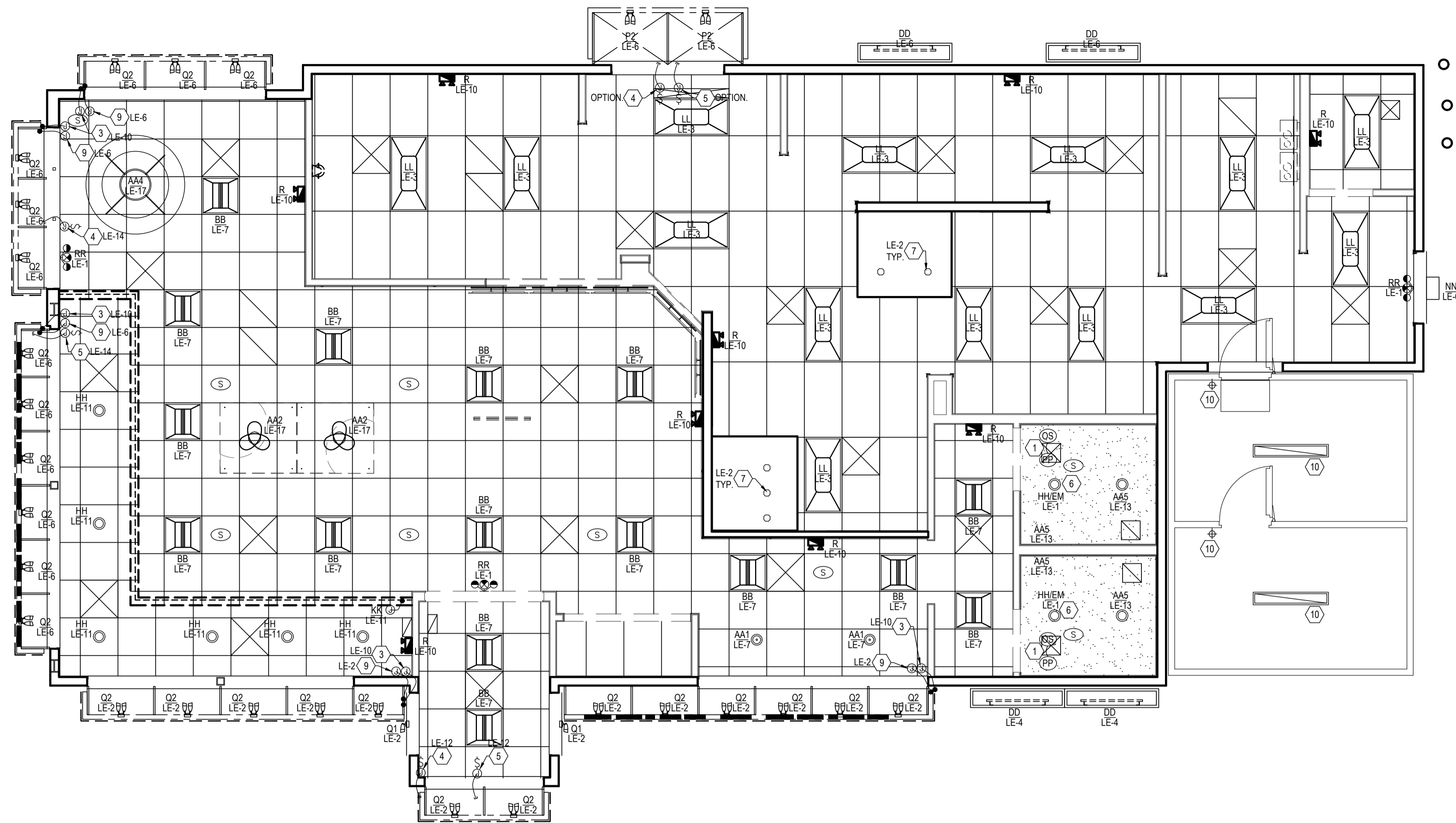
GENERAL NOTES

- ALL EQUIPMENT SHALL BE WIRED TO PANEL AND CIRCUIT NUMBER SHOWN. PROVIDE ELECTRICAL CONDUIT TO PANEL IF PREFERRED, MC CABLE ONLY IF LOCAL CODES ALLOW (TYPICAL UNLESS SHOWN OTHERWISE).
- ELECTRICAL CONTRACTOR SHALL PROVIDE ANY ADDITIONAL CONVENIENCE OUTLETS PER TENANT/OWNER, AT TENANT/OWNER'S EXPENSE.
- IN ALL KITCHEN AREAS, ALL RECEPTACLES SHALL BE GFCI PER 2014 NEC SECTION 210.8(B)(3).
- VERIFY LOCATIONS AND ELECTRICAL REQUIREMENTS OF ALL ROOF TOP EQUIPMENT BEFORE ROUGH-IN AND COORDINATE WORK WITH OTHER TRADES.
- PROVIDE WHITE OUTLETS W/ WHITE PLATE IN DINING AREA
- PROVIDE WHITE OUTLET W/ S.S. PLATE IN KITCHEN AREA
- ALL DIMENSIONS & HEIGHTS ARE TO CENTER OF OUTLET

KEY NOTES

- CASH REGISTER/VIDEO MONITOR SYSTEM: WIRING FOR CASH REGISTER/VIDEO MONITOR SYSTEM SHALL BE IN SEPARATE CONDUIT FROM OTHER SYSTEMS AND SHALL HAVE INSULATED/ISOLATED GROUND CONDUCTORS. RECEPTACLES SHALL BE NEMA 5-20R-IG. E.C. SHALL VERIFY WITH OWNER/TENANT ALL WIRING RELATED TO CASH REGISTERS AND VIDEO MONITORS FOR ANY CHANGES OR ADDITIONS BASED ON ACTUAL UNITS USED.
- ROOF TOP RECEPTACLES: ELECTRICAL CONTRACTOR TO PROVIDE AND WIRE COMPLETE GFI/WP RECEPTACLE AT OR NEAR ROOF TOP EQUIPMENT.
- THIS IS A WALL THAT IS NOT FULL HEIGHT, ALL CONDUIT MUST BE ROUTED AROUND THE OPENING OR BE RUN UNDERGROUND.
- E.C. TO MAKE FINAL CONNECTION TO COUNTER RECEPTACLES AFTER COUNTER INSTALLATION.
- EQUIPMENT BENEATH HOODS SHALL HAVE SHUNT TRIP BREAKERS INTERLOCKED WITH FIRE EXTINGUISHING SYSTEM. E.C. TO PROVIDE 120V POWER FOR CONTROLS. SEE PANEL SCHEDULE E4.
- E.C. TO PROVIDE AN EMPTY BOX AND 1/2" CONDUIT STUBBED TO ACCESSIBLE CEILING SPACE FOR PHONE SERVICE. COORDINATE ADDITIONAL PHONE SERVICE LOCATIONS PER OWNER'S REQUEST. FINAL TERMINATION OF PHONE JACKS BY COMMUNICATIONS CONTRACTOR.
- AT THIS LOCATION, E.C. TO PROVIDE PROPERLY SIZED SERVICES FOR THE FOLLOWING ITEMS: 120V/1PH - COMPUTER; 120V/1PH - MONITOR; 120V/1PH - PRINTER/FAX; 120V/1PH ADDING MACHINE; 120V/1PH - CONVENIENCE OUTLET; 120V/1PH WITH ISOLATED AND INSULATED GROUND FOR POS SYSTEM; JUNCTION BOXES (S) - TELEPHONE/DATA LINES; OPEN JUNCTION BOXES FOR STORE SECURITY SYSTEM; OPEN JUNCTION BOXES FOR STORE MUSIC/PAGING SYSTEM.
- ANSUL SYSTEM: E.C. TO PROVIDE JUNCTION BOX AND (1) 20A CIRCUIT FOR ANSUL SYSTEM CONNECTION. VERIFY ALL REQUIREMENTS WITH OTHER TRADES BEFORE ROUGH-IN.
- SERVICE FOR THE CONDENSING UNIT COMES FROM THE SOFTSERVE FREEZER (J BOX ON BACKSIDE OF THE SOFTSERVE FREEZER, SEE DETAIL 2/E1 & 3/E1). ALSO PROVIDE A 10 AMP, 2 POLE DISCONNECT SWITCH AT THE ROOF MOUNTED CONDENSING UNIT. (1) SO 12/2 -GROUND WIRE PER BARREL. CLEARLY LABEL EACH LINE WITH UNIT LETTER AND BARREL NUMBER (A1,A2,B1,B2) AT UNIT & AT ROOF.
- E.C. TO PROVIDE JUNCTION BOX, TOGGLE SWITCH, RECEPTACLE, AND HEAT TAPE FOR DRAIN LINE. COORDINATE LOCATION WITH PLUMBING CONTRACTOR.
- ELECTRICAL CONTRACTOR TO PROVIDE POWER TO KITCHEN FAN CONTROL CENTER, SEE SHEET M4.
- ELECTRIC HAND DRYER PROVIDED BY G.C., INSTALLED BY E.C. INSTALL PER MANUFACTURES RECOMMENDATIONS.
- MENU BOARD OUTLETS TO BE INSTALLED HORIZONTAL
- USB RECEPTACLES, LEGRAND PASS & SEYMOUR FED SPEC TAMPER-RESISTANT SINGLE RECEPTACLE WITH USB CHARGING (TR5261USBI), 15 AMP/125V, NEMA 5-15R, WHITE UNIT WITH WHITE PLATE
- PROVIDE RECESSED SERVICE FLOOR BOX (SINGLE GFCI + DATA) WITH GASKETED (WATER PROOF) COVER PER MANUFACTURES RECOMMENDATIONS.
- WALK-IN LIGHTING PROVIDED BY WALK-IN MFG. INSTALLED BY ELEC. CONTRACTOR, COORD. POWER REQMTS.
- WALK-IN DOOR PANEL CONTROLS PROVIDED BY WALK-IN MFG. INSTALLED BY ELEC. CONTRACTOR, COORD. POWER REQMTS.
- ELECTRICAL CONTRACTOR REFER TO MFG. WIRING DIAGRAM FOR INFORMATION ON WIRING CONTROLS PROVIDED BY MFG.
- HALO-LIT MIRROR. ELECTRICAL CONTRACTOR TO TIE INTO RESTROOM LIGHTING CONTROLS. SEE LIGHTING PLAN.
- ELECTRICAL OUTLET FOR CREDIT CARD READER (#802). E.C. SHALL CONFIRM EXACT POWER REQUIREMENTS WITH MANUFACTURER.

2 ELECTRICAL SERVICE DIAGRAM
E1.2



1 LIGHTING PLAN
 E2 SCALE: 1/4" = 1'-0"

SYM	DESCRIPTION
	SPECIAL PURPOSE OUTLET (COMBO WALL USB CHARGER) - FLUSH MOUNT (15 AMP RATED)
	DUPLEX RECEPTACLE OUTLET - FLUSH MOUNT (20 AMP RATED)
	208 VOLT RECEPTACLE - FLUSH MOUNTED
	ISOLATED GROUND RECEPTACLE (NEMA 5-20R-1G)
	JUNCTION BOX - FLUSH MOUNT
	DISCONNECT SWITCH
	PHONE
	SPEAKER FIXTURE
	SINGLE POLE SWITCH
	UNDERGROUND CONDUIT
	CONDUIT HOME RUN TO PANEL "LF" WITH CIRCUIT 7
	PANEL "LE" AND CIRCUITS 8 THROUGH 18 (I.E., CIRCUITS 8, 10, 12, 14, 16 AND 18)

SYM	DESCRIPTION
WP	WEATHER PROOF
F.B.O.	FURNISHED BY OTHERS
U.G.	UNDERGROUND
HP	HORSE POWER
W.I.C.	WALK-IN COOLER
FTRNS	FUSETRONS
SAF.SW.	SAFETY SWITCH
C.	CONDUIT
A.F.G.	ABOVE FINISHED GROUND
A.H.J.	AUTHORITY HAVING JURISDICTION

- GENERAL NOTES**
- ELECTRICAL CONTRACTOR TO PROVIDE AND INSTALL GENERAL LIGHTING AS SHOWN
 - EMERGENCY BATTERY LIGHTING SHALL PROVIDE A UNIFORMLY DISTRIBUTED MINIMUM 1.0 FOOT CANDLE AVERAGE ILLUMINATION AT FLOOR LEVEL FOR PATH OF EGRESS. PROVIDE ADDITIONAL EMERGENCY LIGHTING AND INCLUDE IN YOUR BID IF REQUIRED BY AUTHORITY HAVING JURISDICTION
 - THE ELECTRICAL CONTRACTOR SHALL COORDINATE MOUNTING LOCATIONS OF LIGHT FIXTURES WITH STRUCTURAL JOIST LOCATIONS, MECHANICAL DUCT WORK, AND EQUIPMENT BEFORE STARTING WORK.
 - REFER TO SHEET E6 LIGHTING CONTROL DIAGRAM FOR LIGHTING CONTROLS.

- KEY NOTES**
- RESTROOM LIGHTING CIRCUITS: ELECTRICAL CONTRACTOR TO PROVIDE AND INSTALL MOTION AND SOUND ACTIVATED SENSORS IN EACH RESTROOM. UNIT TO BE A "CM-PDT" WITH A "PP-20" POWER PACK, WITH ALL REQUIRED ACCESSORIES, AS MANUFACTURED BY SENSOR SWITCH, INC OF WALLINGFORD, CT. OR EQUAL.
 - ELECTRICAL CONTRACTOR TO PROVIDE SEPARATE DEDICATED CONTROLS FOR DINING ROOM RECESSED AND LAY-IN LIGHTS WITHIN INDICATED BOUNDARY.
 - 'EE' LED STRIP LIGHT: ELECTRICAL CONTRACTOR TO PROVIDE AND INSTALL A JUNCTION BOX IN AN ACCESSIBLE AREA ABOVE THE FINISHED CEILING AND MAKE ALL CONNECTIONS REQUIRED TO PROPERLY INSTALL LED. PROVIDE THRU-WALL CONNECTION FROM LED TO JUNCTION BOX, ALL CONNECTIONS, WALL PENETRATIONS, ETC. MUST BE WATERTIGHT AND COMPLY WITH PREVAILING CODES.
 - E.C. TO PROVIDE JUNCTION BOX WITH DISCONNECT SWITCH IN ACCESSIBLE CEILING SPACE AND RUN 1/2" FLEXIBLE SEAL TIGHT CONDUIT THROUGH EXTERIOR WALL TO SIGNAGE CONNECTION POINT AFTER SIGN HAS BEEN INSTALLED. FIELD VERIFY BEST MOUNTING LOCATION FOR JUNCTION BOX AND SIGN REQUIREMENTS WITH SIGN SUPPLIER AND ARCHITECTURAL DRAWINGS. MAKE FINAL CONNECTION AS REQUIRED.
 - E.C. TO PROVIDE JUNCTION BOX WITH DISCONNECT SWITCH IN ACCESSIBLE CEILING SPACE AND RUN 1/2" FLEXIBLE SEAL TIGHT CONDUIT THROUGH EXTERIOR WALL AND OUTRIGGER FRAMES TO CHANNEL LETTER SIGNAGE CONNECTION POINT AFTER FRAME HAD BEEN INSTALLED. FIELD VERIFY BEST MOUNTING LOCATION FOR JUNCTION BOX AND SIGN REQUIREMENTS WITH SIGN SUPPLIER AND ARCHITECTURAL DRAWINGS. MAKE FINAL CONNECTION AS REQUIRED.
 - FIXTURES DENOTED "EM" TO INCLUDE EMERGENCY BALLAST. BALLAST TO PROVIDE FULL OUTPUT. FIXTURES SHALL BE CONNECTED AHEAD OF ANY SWITCHES.
 - EXHAUST HOOD LIGHTING FIXTURE(S) PART OF HOOD PACKAGE, FINAL ELECTRICAL CONNECTION BY ELECTRICAL CONTRACTOR.
 - "MOOD" MUSIC SYSTEM PACKAGE INCLUDES: SPEAKERS, RECEIVER, CABLING AND INSTALLATION AND IS PROVIDED BY THE OWNER AND INSTALLED BY MUZAK SYSTEM INSTALLER. SEE NATIONAL VENDORS LIST FOR SYSTEM NATIONAL ACCOUNT PRICING & INSTALLATION COORDINATION. INTERIOR CEILING MOUNTED (MATCH CEILING COLOR) AND EXTERIOR BACK SIDE OF EYEBROW MOUNTED (BLACK) SPEAKER LOCATIONS.
 - E.C. TO PROVIDE JUNCTION BOX LOCATED IN ACCESSIBLE CEILING SPACE AND FLEXIBLE SEAL TIGHT CONDUIT THROUGH EXTERIOR WALL/OUTRIGGER FRAMES TO UP LIGHTS AND DOWN LIGHTS MOUNTED ON OUTRIGGER FRAME SYSTEM AFTER FRAME HAD BEEN INSTALLED. E.C. TO COORDINATE MOUNTING WITH OTHER TRADES FOR BEST MOUNTING AND ROUTING OF CONDUIT.
 - WALK-IN COOLER/FREEZER LIGHTING PROVIDED BY WALK-IN MANUFACTURER, INSTALLED BY ELECTRICAL CONTRACTOR.

LIGHTING SCHEDULE: (GRILL & CHILL)					NOTE: THIS IS A PROTOTYPICAL SCHEDULE, ALL FINISHES MAY NOT BE USED.	
SYMBOL	LOCATION	MOUNT	MANUFACTURER	FIXTURE CATALOG NUMBER	REMARKS	
AA1	DINING ROOM	PENDANT	DAINOLITE	CUT-P-691 - 1LT CUT OUT PENDANT JTONE WHT/SV	CENTER OVER TABLE.	
AA2	DINING ROOM	PENDANT	WAC LIGHTING	DWELED, VORNADO, PD-8720-CH	84" AFF. CENTER OVER COUNTER HEIGHT TABLES. COORDINATE WITH CEILING ELEMENT. SEE F SHEETS	
AA3	DINING ROOM	PENDANT	WAC LIGHTING	DWELED, VORNADO, PD-87735-CH	84" AFF. CENTER OVER COUNTER HEIGHT TABLES. COORDINATE WITH CEILING ELEMENT. SEE F SHEETS	
AA4	DINING ROOM	PENDANT	SATTLER	ANELLO, 288.69.69.11.270	-	
AA5	RESTROOM MIRROR	WALL	MEEK MIRRORS	ML-5100-S HALO 18x36 SIDELIT MIRROR	-	
BB	DINING ROOM	CEILING, LAY-IN	COOPER, METALUX	22SR-LD2-20-C-UNV	-	
BBE	DINING ROOM	CEILING, LAY-IN	COOPER, METALUX	22SR-LD2-20-C-UNV-EL14W	W/ EMERGENCY BATTERY BACK-UP	
CC	FESTOON LIGHTING	IN-LINE	AMERICAN LIGHTING	LS2-M-24-48-BK	BLACK WIRE, 52" LONG, 24" LIGHT SPACING USED ONLY WITH PERGOLA.	
DD	OUTDOOR POS	WALL WASHER	MORGAN HOPE	MH402-24V-6500K	COORDINATE WITH METALS PACKAGE	
EE	OUTDOOR EYEBROW	LINEAR LED	MORGAN HOPE	LED-MH-NBL-24-R	FLEXIBLE LED WITH BLACK CHANNEL SYSTEM	
FF	DINING ROOM	RECESSED DIRECTIONAL	LUM-TECH	LH-310 HOUSING, LT-366SN	-	
GG	ALPOLIC CORNICE	SURFACE/RECESSED	DIODE LED	BLAZE (WET LOCATION) TAPE LIGHT	DI-CPCHA-4548 CHANNEL W/ DI-CPCHC-FR48 COVER DI-CPCHA-4596 CHANNEL W/ DI-CPCHC-FR96 COVER	
HH	DINING ROOM, RESTROOM	RECESSED	CURRENT BY GE	LRX-R6-10-8-30-MD	-	
HHE	DINING ROOM, RESTROOM	RECESSED	CURRENT BY GE	LRX-R6-10-8-30-MD	W/ EMERGENCY BATTERY BACK-UP	
KK	DINING ROOM	HALO LIGHT	MORGAN HOPE	MHMOD-65-12V	-	
LL	KITCHEN	CEILING, LAY-IN	LSI INDUSTRIES	ELFP24-LED-40-UE	-	
LLE	KITCHEN	CEILING, LAY-IN	LSI INDUSTRIES	ELFP24-LED-40-UE W/ 625074	W/ EMERGENCY BATTERY BACK-UP	
NN	OUTDOOR SECURITY	WALL	KEENE	LP7-T	-	
P,PPP	D.T. CANOPY	SURFACE	MORGAN HOPE	DQ-MH15WMO-GRY-45	MOUNTED IN DT CANOPY. #INDICATES NUMBER OF HEADS	
Q,QQ	EYEBROW	SURFACE	MORGAN HOPE	DQ-MH15WMO-BLK-45	MOUNTED IN EYEBROW, DIRECT ONE HEAD UP AND ONE DOWN. #INDICATES NUMBER OF HEADS	
RR	EXIT, EMERGENCY	WALL, CEILING	EXITRONIX	VLED-U-WH-EL90	LOCATIONS TO COMPLY WITH PREVAILING CODES	
R	INTERIOR, EMERGENCY					

- NOTES:**
- ALL FIXTURES AVAILABLE THROUGH HJC. SEE NATIONAL VENDORS LIST FOR CONTACT INFORMATION.
 - WIRING METHODS FOR ALL RECESSED LIGHT FIXTURES SHALL BE CONDUIT, UNLESS OTHERWISE NOTED, J-BOXES WITH FLEX DROPS, ETC. PER NEC REQUIREMENTS.
 - FIXTURES & VARIOUS ELECTRICAL DEVICES, SHALL BE INSTALLED IN CEILING WITH PROPER SELF SUPPORTING METHODS FROM STRUCTURE PER NEC REQUIREMENTS.
 - VERIFY WITH LOCAL GOVERNING OFFICIALS THE LOCATIONS OR ADDITIONS OF "EMERGENCY LIGHTING" AND PROVIDE.
 - NOT ALL LIGHT FIXTURES MAY BE USED