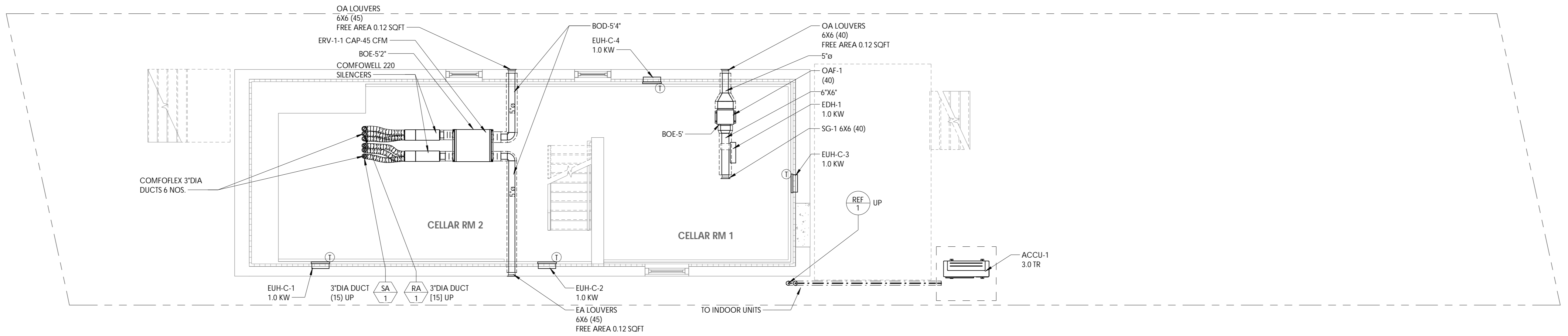


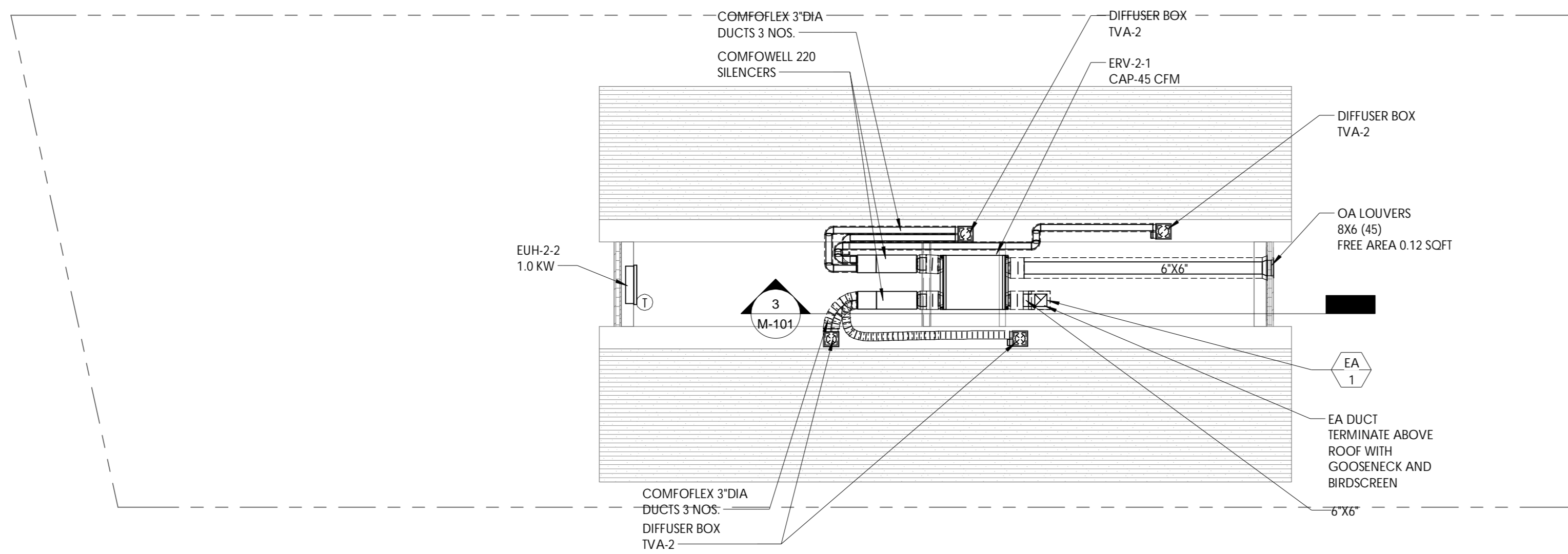
① CONNECT 1" CD TO BATHROOM SANITARY UNDER LAVATORY W/ AIR GAP FITTING COORDINATE WITH PLUMBING DRAWING

GENERAL NOTES:
 1. PROVIDE 2" INSULATION FOR OUTSIDE AIR DUCT.
 2. RUN REFRIGERANT AND CONDENSATE PIPE TIGHT TO CEILING.
 3. COORDINATE ALL GRILLE AND ACCESS DOOR LOCATION WITH ARCHITECT.
 4. COORDINATE COLOR/FINISH WITH ARCHITECT.

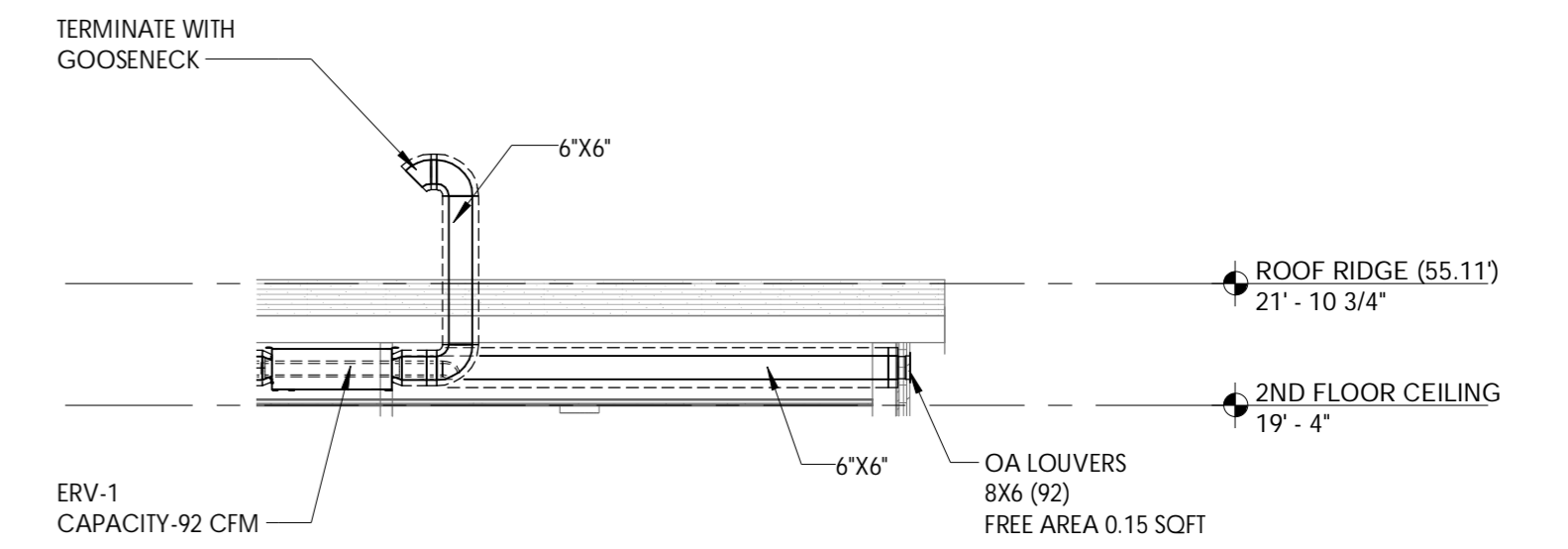
② 1ST FLOOR MECHANICAL PLAN
1/4" = 1'-0"



① CELLAR FLOOR MECHANICAL PLAN
1/4" = 1'-0"

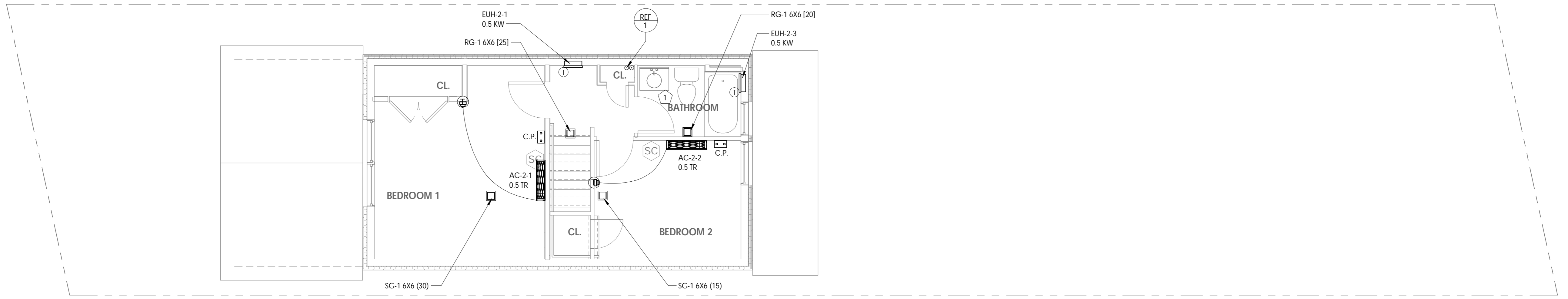


② ATTIC FLOOR MECHANICAL PLAN
1/4" = 1'-0"



③ ATTIC ERV LOCATION SECTION
1/4" = 1'-0"

- ① CONNECT 1" CD TO BATHROOM SANITARY UNDER LAVATORY
W/ AIR GAP FITTING COORDINATE WITH PLUMBING DRAWING
- GENERAL NOTES:
1. PROVIDE 2" INSULATION FOR OUTSIDE AIR DUCT.
 2. RUN REFRIGERANT AND CONDENSATE PIPE TIGHT TO CEILING.
 3. COORDINATE ALL GRILLE AND ACCESS DOOR LOCATION WITH ARCHITECT.
 4. COORDINATE COLOR/FINISH WITH ARCHITECT.



① 2ND FLOOR MECHANICAL PLAN
1/4" = 1'-0"