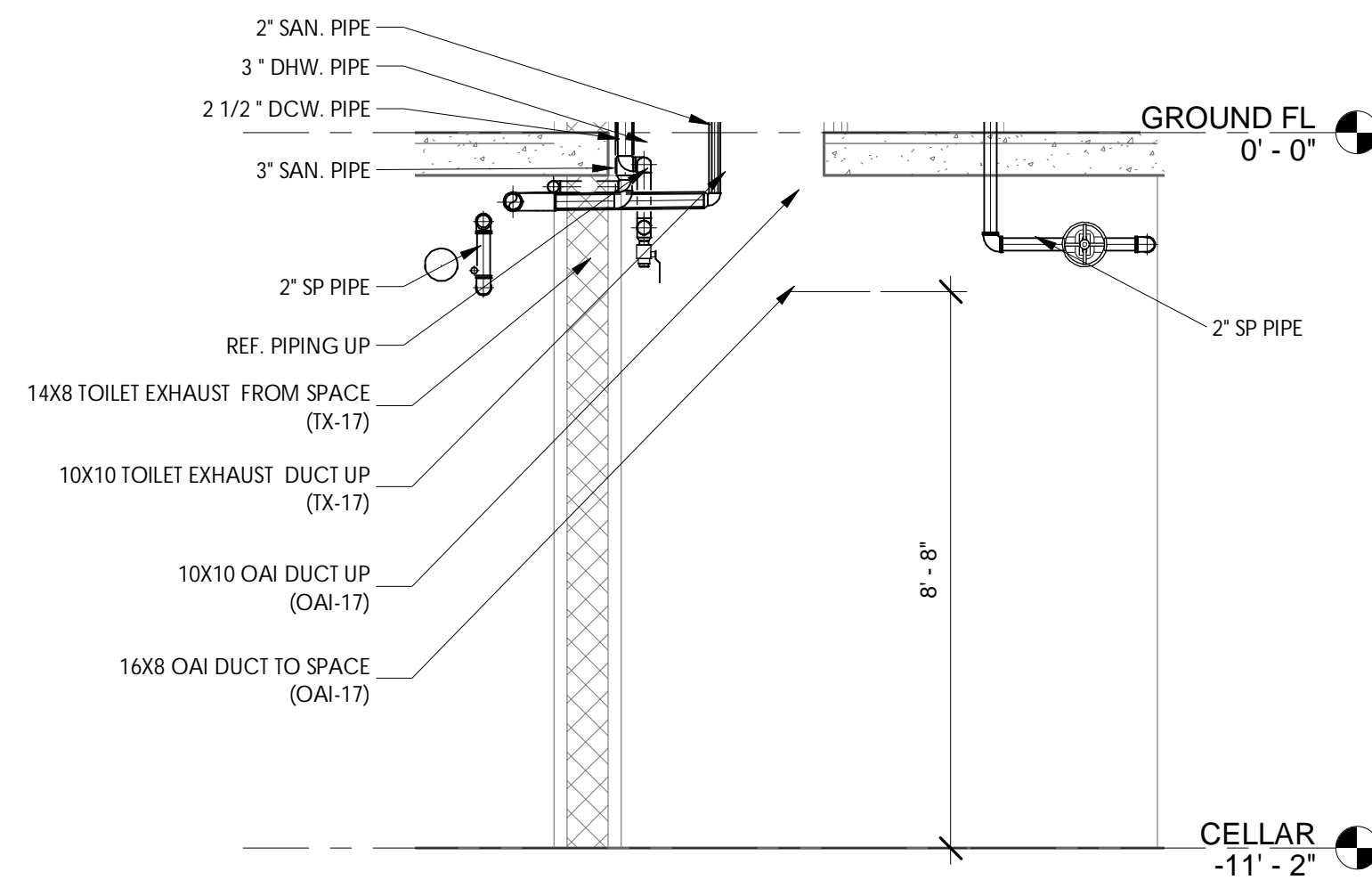
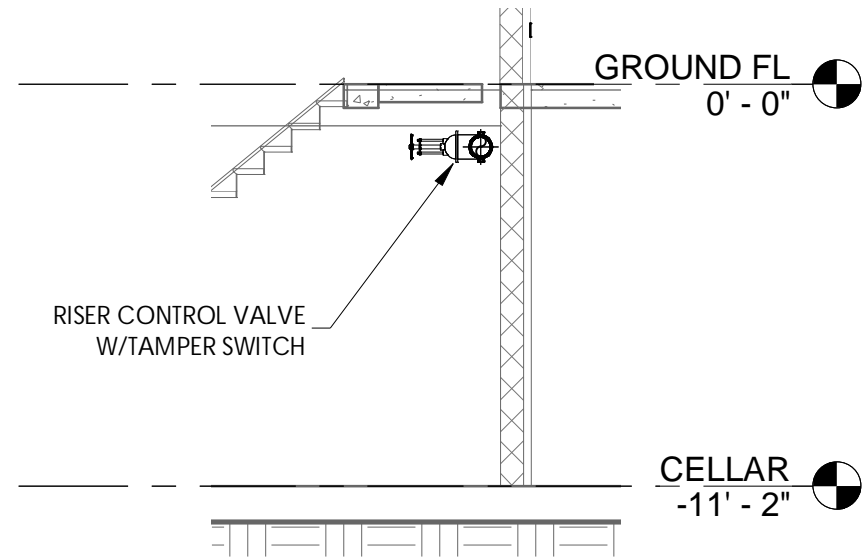


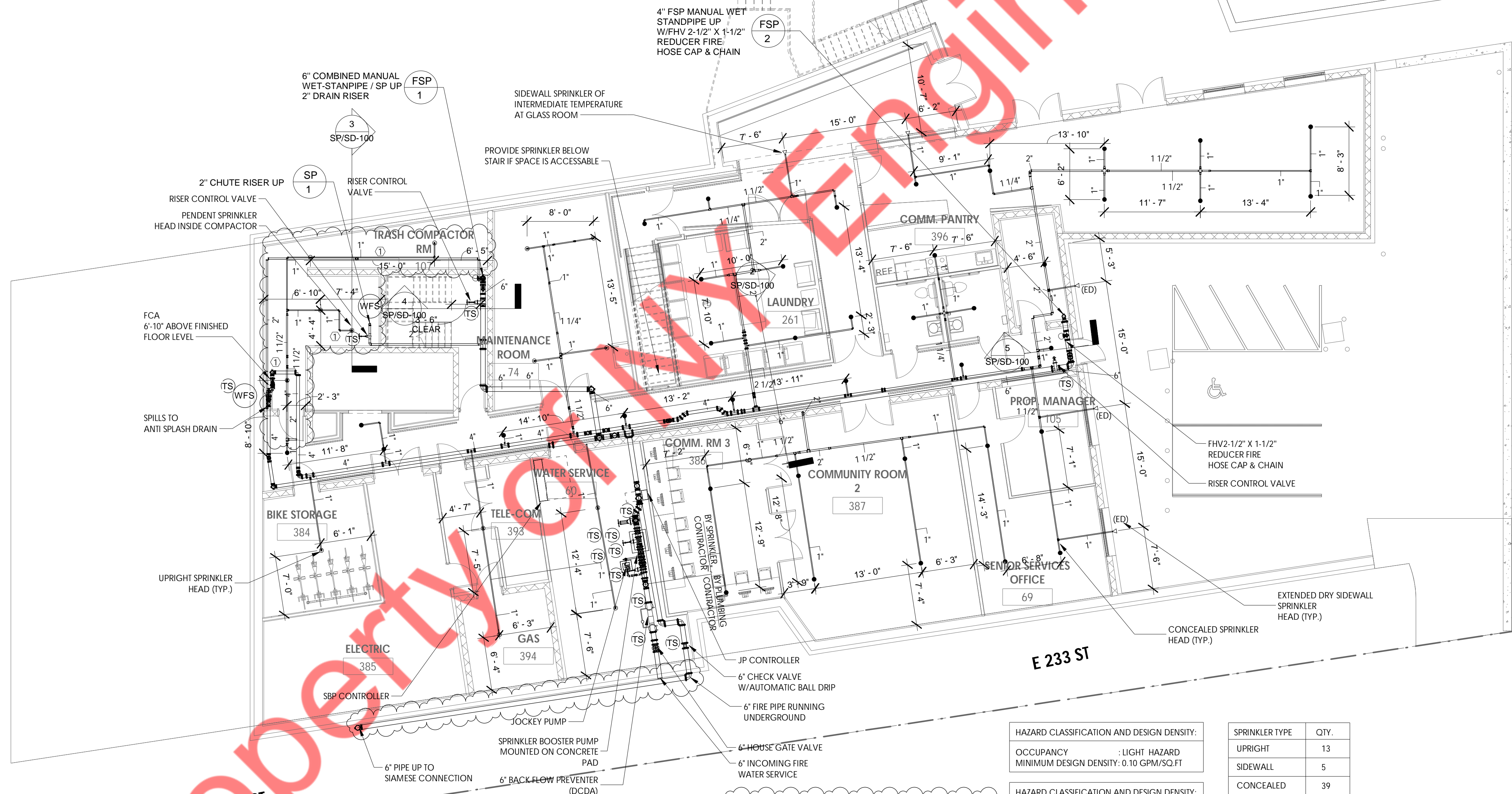
2 CELLAR FLOOR CORRIDOR  
3/8" = 1'-0"



3 CELLAR FLOOR TRASH ROOM  
3/8" = 1'-0"



4 SECTION-RISER CONTROL VALVE  
3/16" = 1'-0"

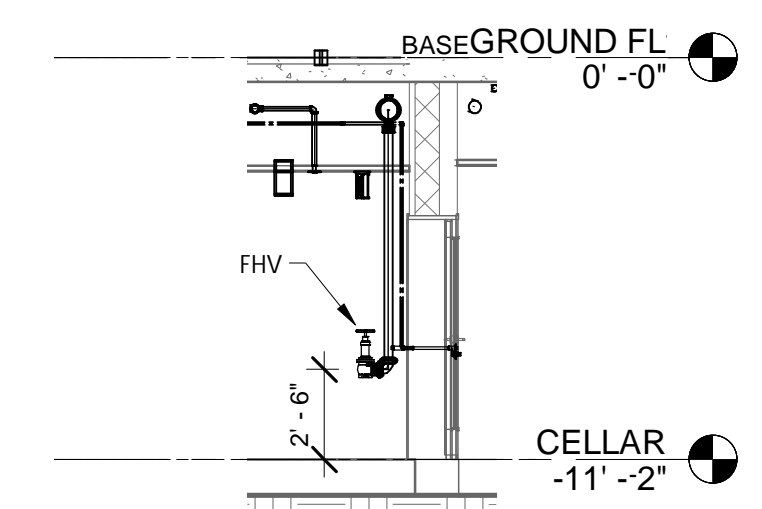


1 CELLAR SPRINKLER PLAN  
1/8" = 1'-0"

**KEYNOTE**  
 1 PROVIDE HEAT TRACING FOR EXPOSED SPRINKLER PIPING IN TRASH COMPACTOR ROOM & FOR HEAT TRACING CABLE SCHEDULE COORDINATE WITH PLUMBING CONTRACTOR.

**GENERAL NOTE:**  
 1. ALL SPRINKLER HEADS MEET DESIGN CRITERIA PER COVERAGE.  
 2. FOR SPRINKLER AND STANDPIPE WORK ONLY.  
 3. TRADE CONTRACTORS TO PROVIDE ALL LOCATIONS OF REQUIRED ACCESS TO GENERAL CONTRACTOR. GENERAL CONTRACTOR TO COORDINATE WITH ARCHITECT ON ACCESS DOOR LOCATIONS AND INSTALL ACCESS DOORS.  
 4. ALL EXPOSED SPRINKLER PIPING IN UNITS TO BE PAINTED WHITE.

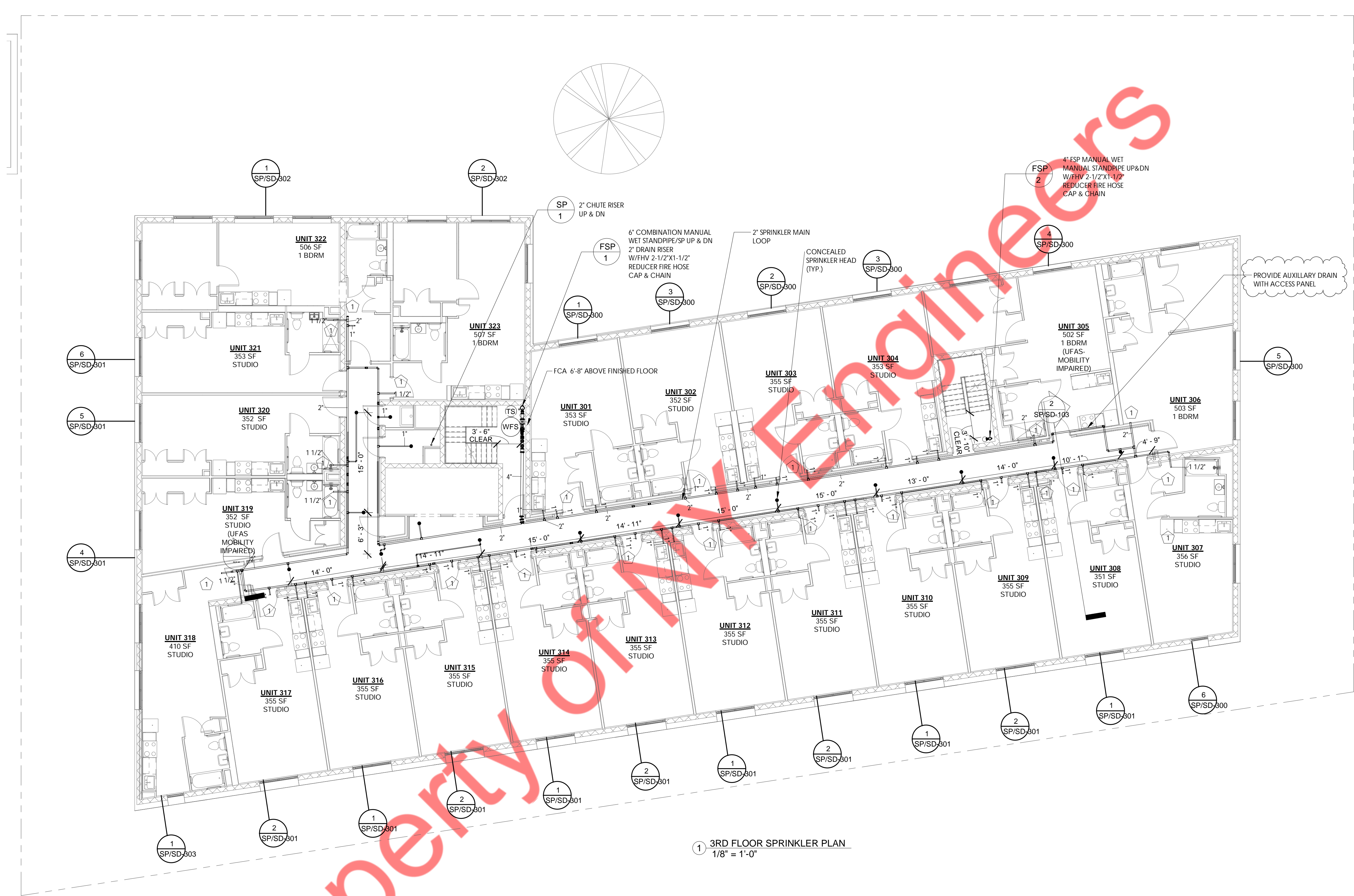
HAZARD CLASSIFICATION AND DESIGN DENSITY:		SPRINKLER TYPE	QTY.
OCCUPANCY	: LIGHT HAZARD	UPRIGHT	13
MINIMUM DESIGN DENSITY:	0.10 GPM/SQ.FT	SIDEWALL	5
HAZARD CLASSIFICATION AND DESIGN DENSITY:		CONCEALED	39
OCCUPANCY	: ORDINARY HAZARD	PENDENT	1
MINIMUM DESIGN DENSITY:	0.15 GPM/SQ.FT	TOTAL HEADS	58



5 SECTION-FIRE HOSE VALVE  
3/16" = 1'-0"







**GENERAL NOTE:**

1. ALL SPRINKLER HEADS MEET DESIGN CRITERIA PER COVERAGE.
2. FOR SPRINKLER AND STANDPIPE WORK ONLY.
3. TRADE CONTRACTORS TO PROVIDE ALL LOCATIONS OF REQUIRED ACCESS TO GENERAL CONTRACTOR. GENERAL CONTRACTOR TO COORDINATE WITH ARCHITECT ON ACCESS DOOR LOCATIONS AND INSTALL ACCESS DOORS.
4. ALL EXPOSED SPRINKLER PIPING IN UNITS TO BE PAINTED WHITE.

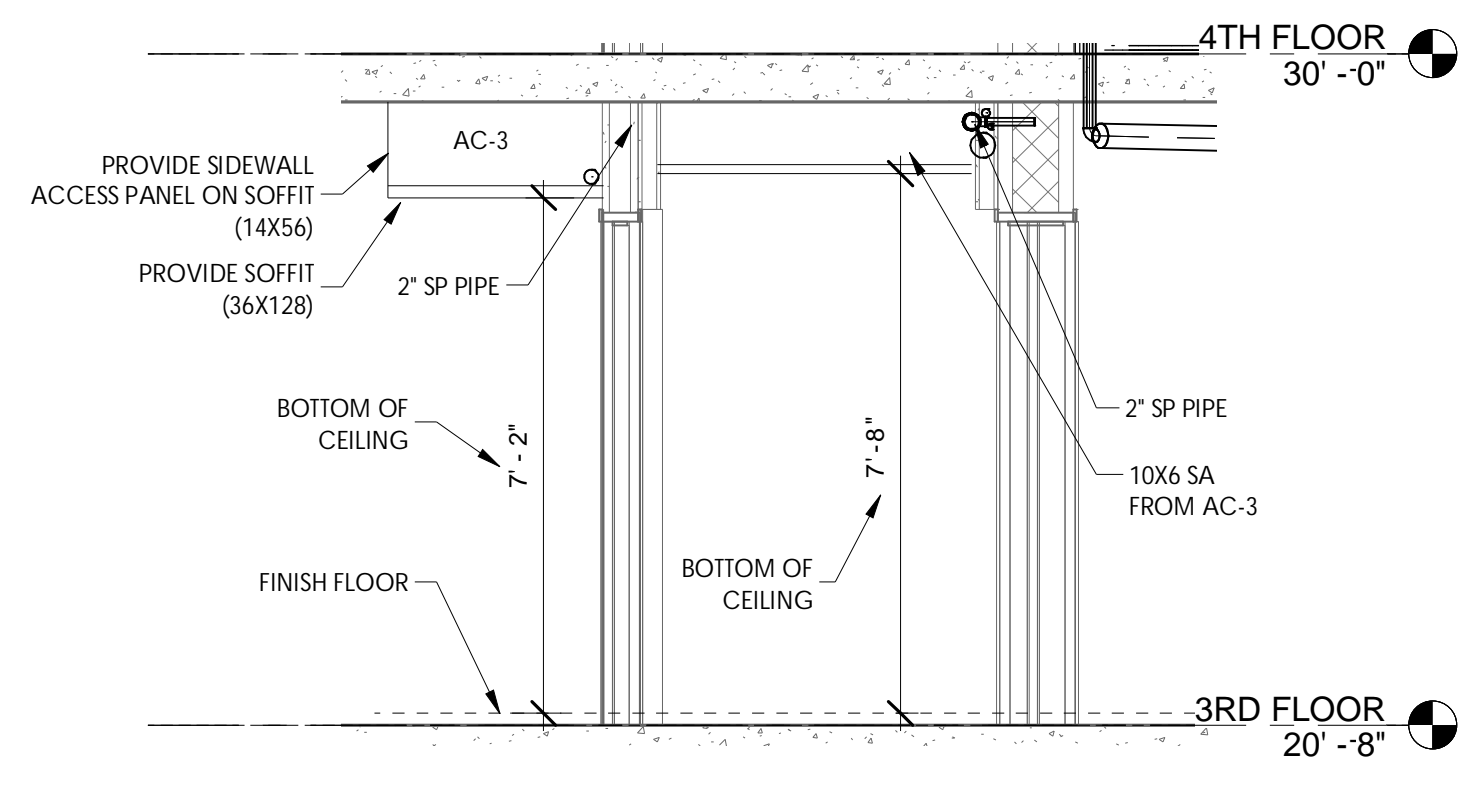
**HAZARD CLASSIFICATION AND DESIGN DENSITY:**

OCCUPANCY : LIGHT HAZARD  
MINIMUM DESIGN DENSITY: 0.10 GPM/SQ.FT

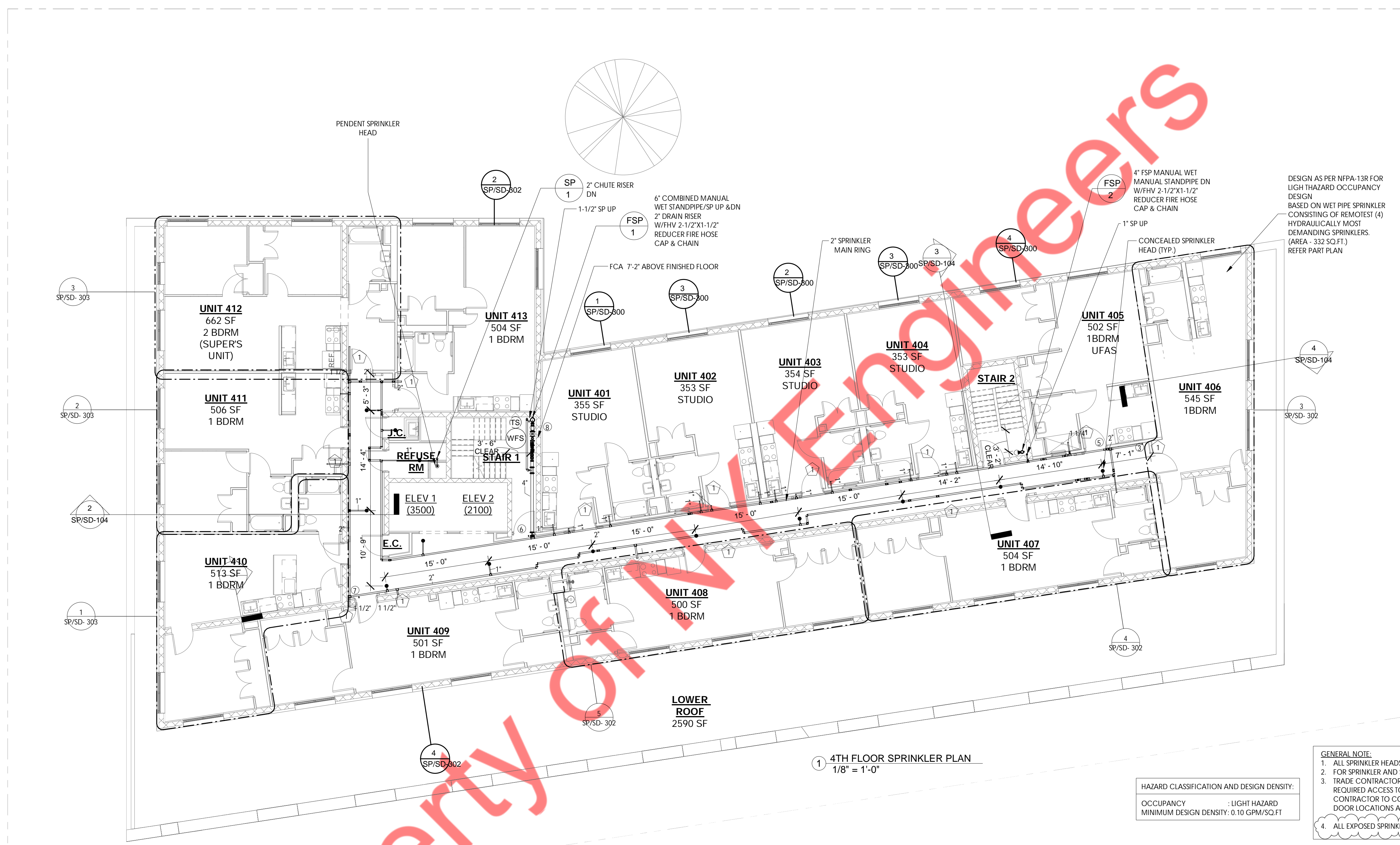
**KEY NOTE:**

1 FOR CONTINUATION REFER PART PLANS

SPRINKLER TYPE	QTY.
UPRIGHT	20
SIDEWALL	59
CONCEALED	24
EXTENDED SIDEWALL	01
<b>TOTAL HEADS</b>	<b>104</b>

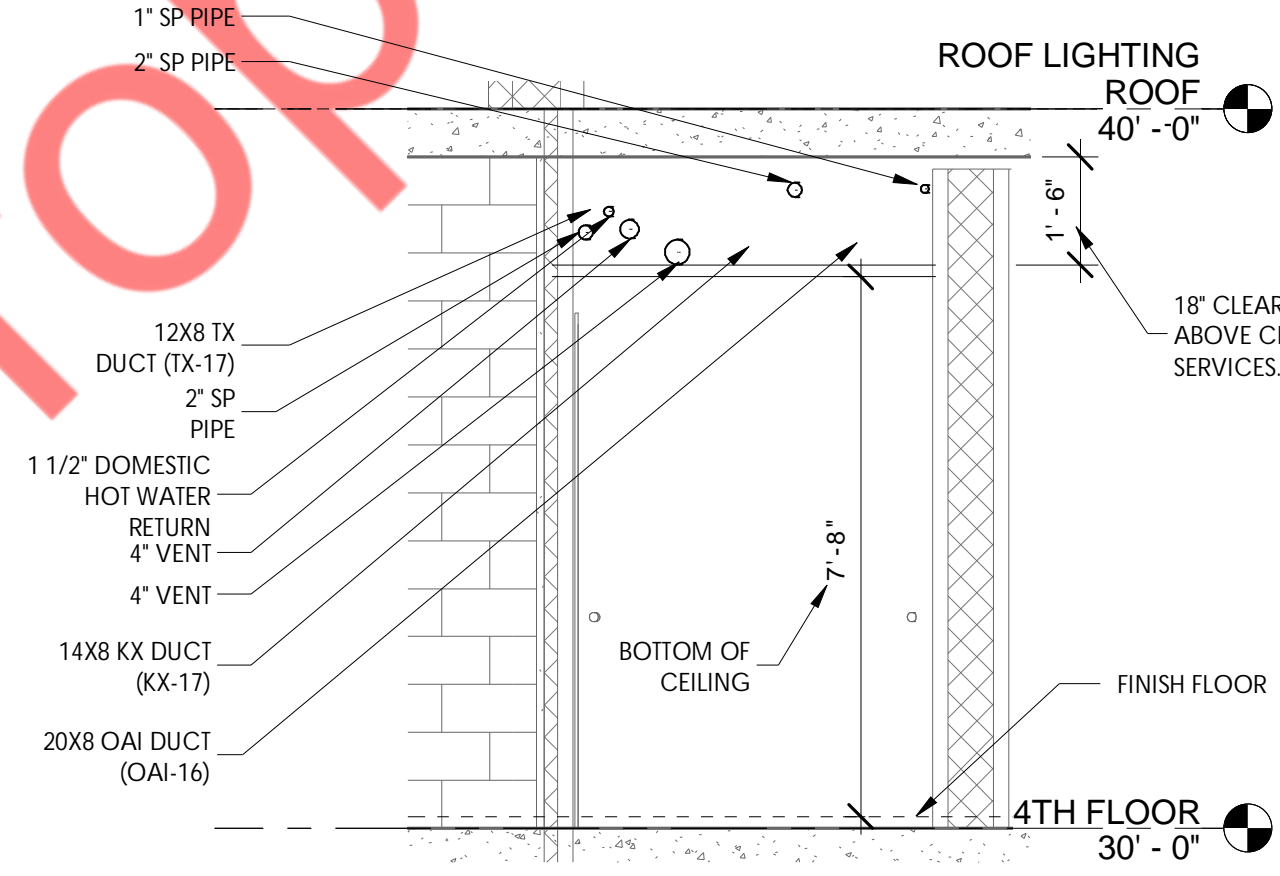
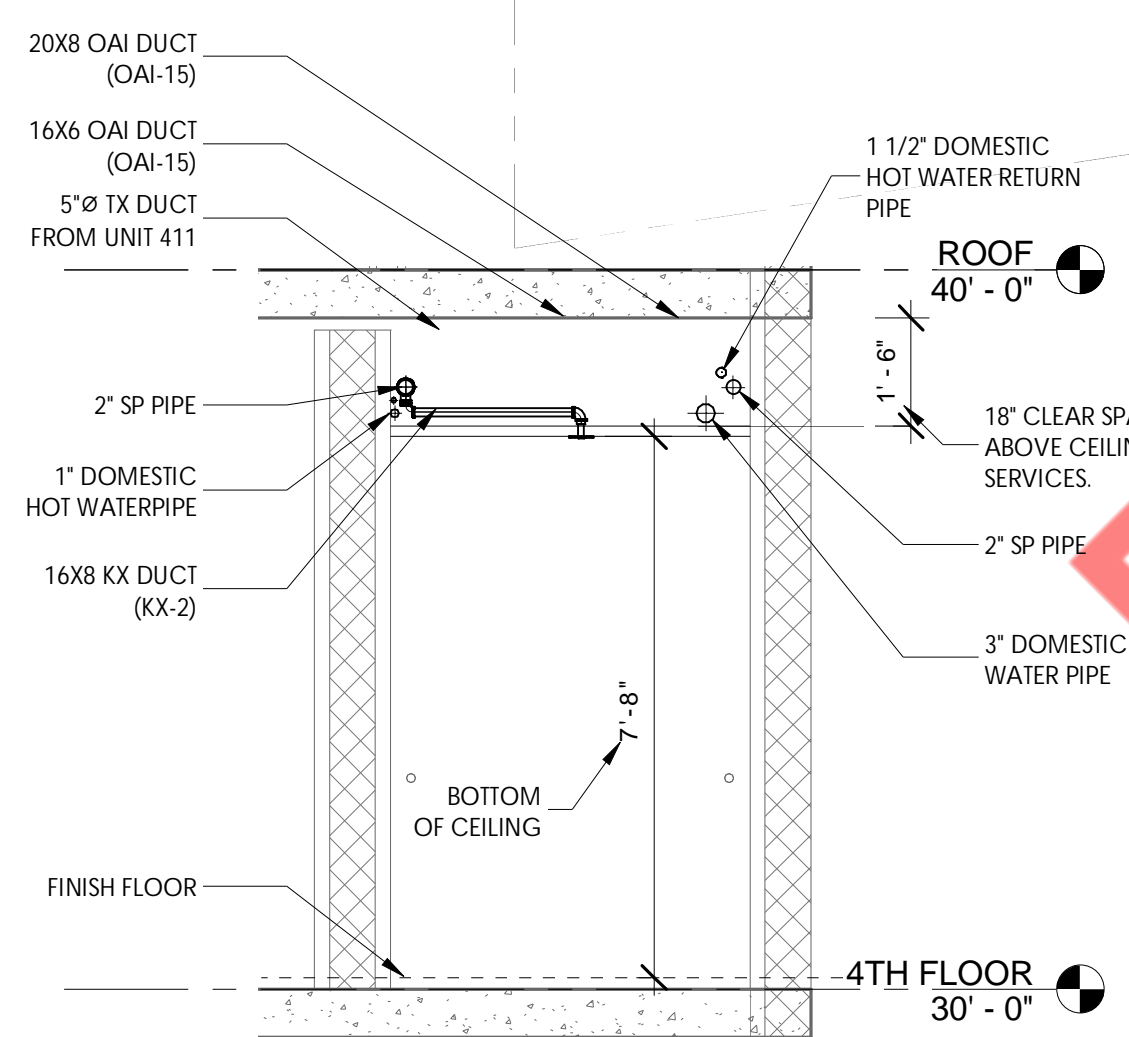


Property of M Engineers



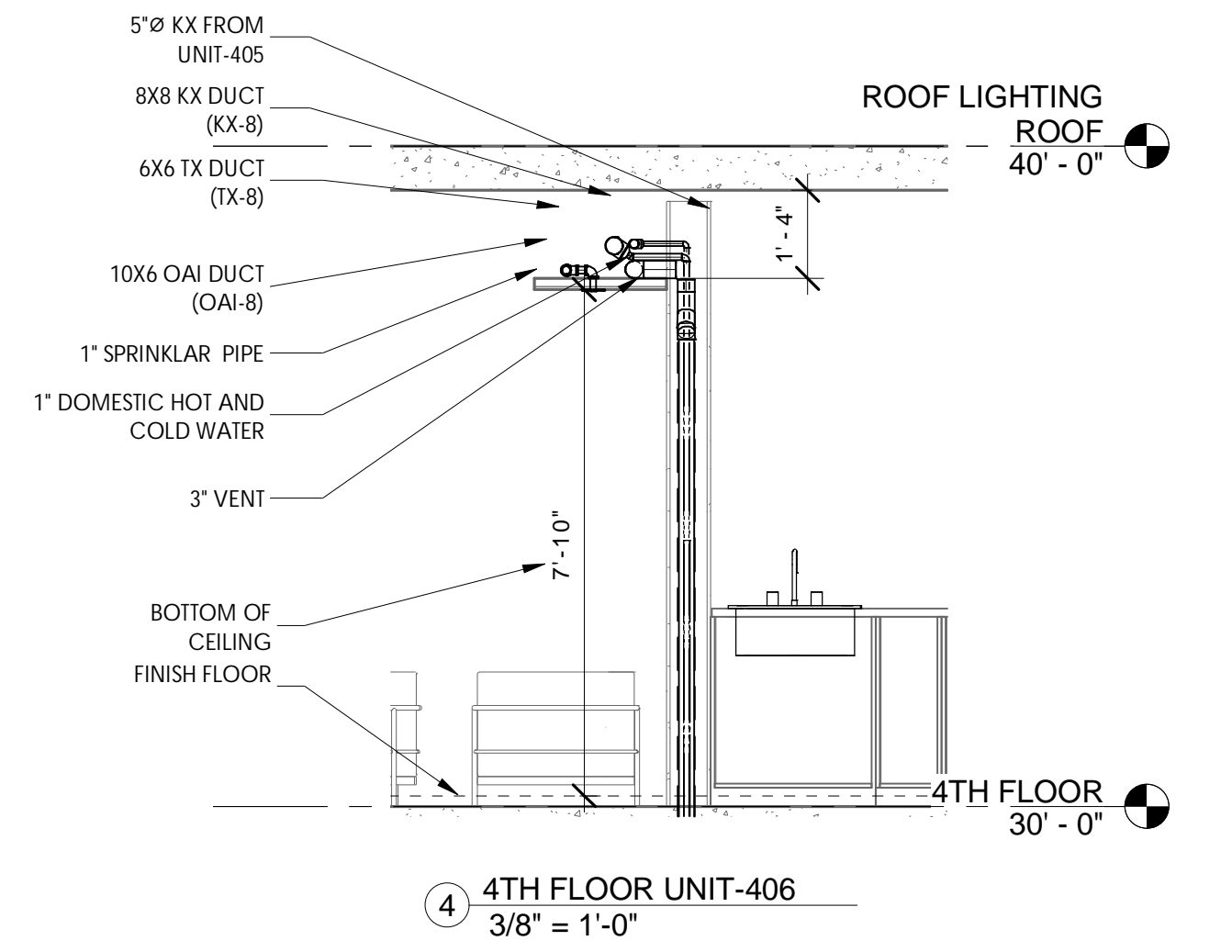
HAZARD CLASSIFICATION AND DESIGN DENSITY:  
OCCUPANCY : LIGHT HAZARD  
MINIMUM DESIGN DENSITY: 0.10 GPM/SQ.FT

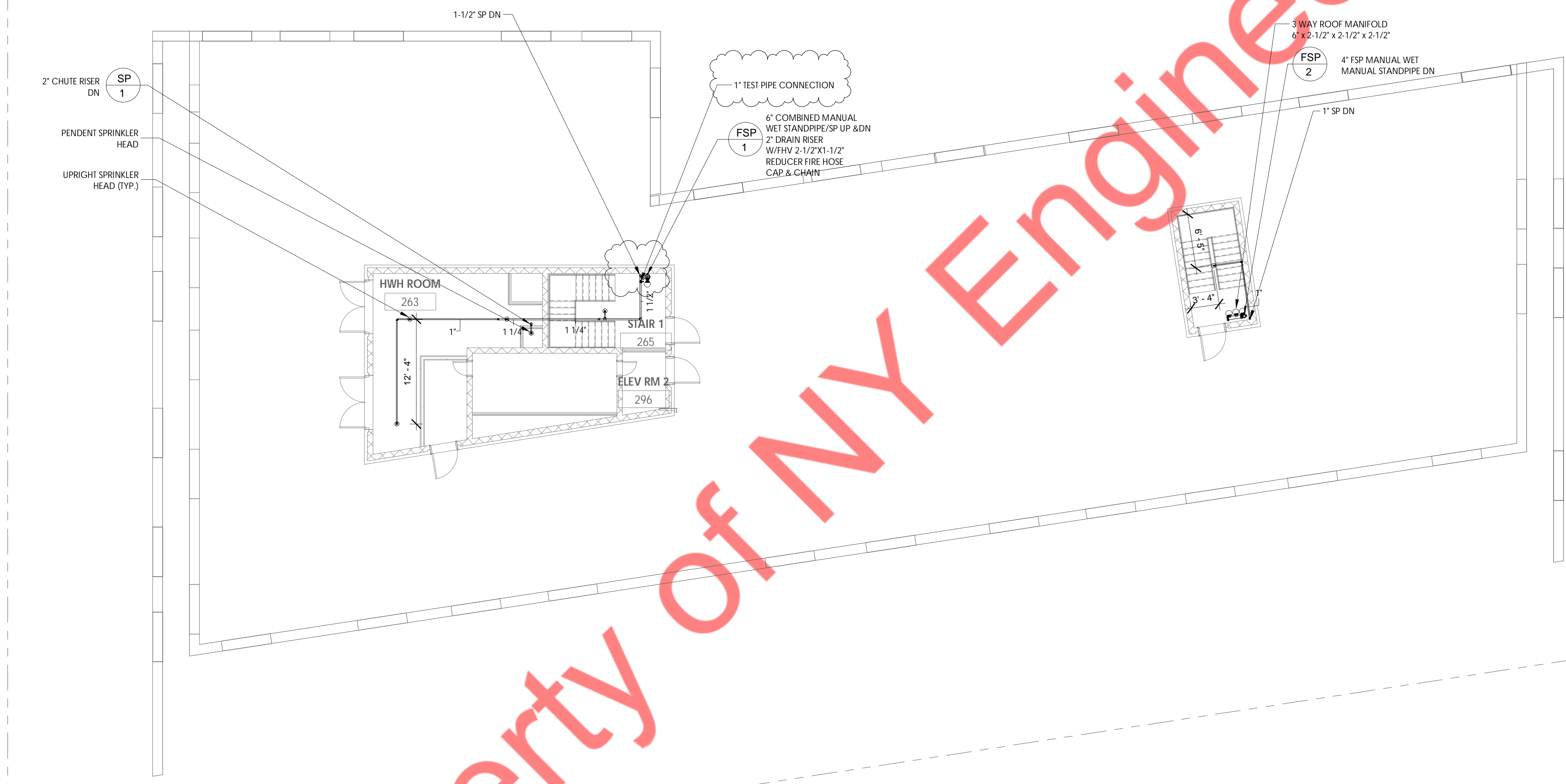
- GENERAL NOTE:**
1. ALL SPRINKLER HEADS MEET DESIGN CRITERIA PER COVERAGE.
  2. FOR SPRINKLER AND STANDPIPE WORK ONLY.
  3. TRADE CONTRACTORS TO PROVIDE ALL LOCATIONS OF REQUIRED ACCESS TO GENERAL CONTRACTOR. GENERAL CONTRACTOR TO COORDINATE WITH ARCHITECT ON ACCESS DOOR LOCATIONS AND INSTALL ACCESS DOORS.
  4. ALL EXPOSED SPRINKLER PIPING IN UNITS TO BE PAINTED WHITE.



**KEY NOTE:**  
1 FOR CONTINUATION REFER PART PLANS

SPRINKLER TYPE	QTY.
UPRIGHT	12
SIDEWALL	42
CONCEALED	21
CHUTE SPRINKLER	01
EXTENDED SIDEWALL	01
<b>TOTAL HEADS</b>	<b>77</b>





Property of NY Engineers

① ROOF SPRINKLER PLAN  
1/8" = 1'-0"

**GENERAL NOTE:**  
 1. ALL SPRINKLER HEADS MEET DESIGN CRITERIA PER COVERAGE.  
 2. FOR SPRINKLER AND STANDPIPE WORK ONLY.  
 3. TRADE CONTRACTORS TO PROVIDE ALL LOCATIONS OF REQUIRED ACCESS TO GENERAL CONTRACTOR. GENERAL CONTRACTOR TO COORDINATE WITH ARCHITECT ON ACCESS DOOR LOCATIONS AND INSTALL ACCESS DOORS.  
 4. ALL EXPOSED SPRINKLER PIPING IN UNITS TO BE PAINTED WHITE.

**HAZARD CLASSIFICATION AND DESIGN DENSITY:**  
 OCCUPANCY : LIGHT HAZARD  
 MINIMUM DESIGN DENSITY: 0.10 GPM/SQ.FT

**HAZARD CLASSIFICATION AND DESIGN DENSITY:**  
 OCCUPANCY : ORDINARY HAZARD  
 MINIMUM DESIGN DENSITY: 0.15 GPM/SQ.FT

SPRINKLER TYPE	QTY.
UPRIGHT	05
CHUTE SPRINKLER	01
TOTAL HEADS	06